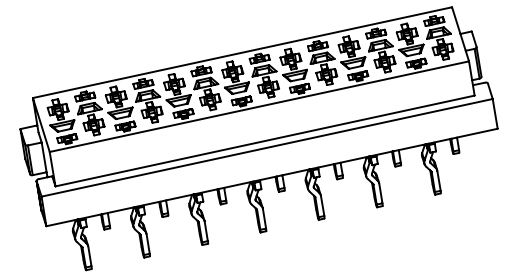
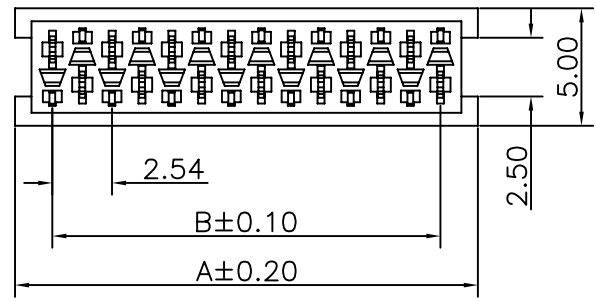


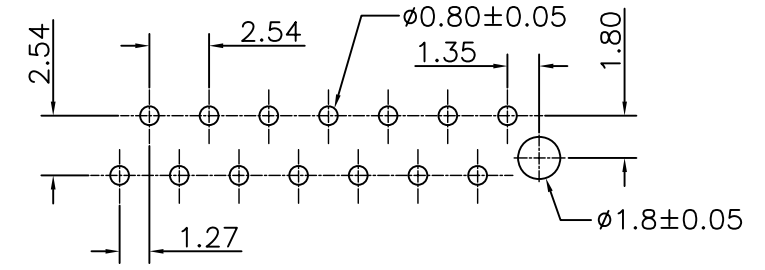
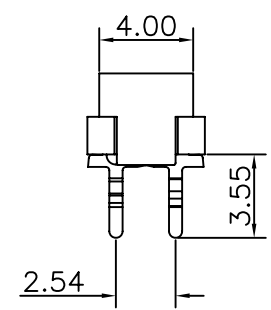
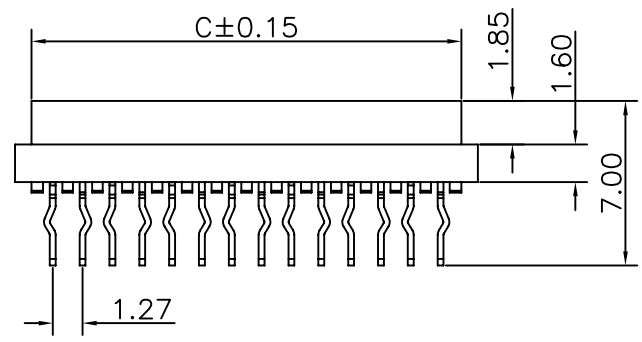
Pos	A	B	C
4	7.00	3.81	5.60
6	9.54	6.35	8.14
8	12.08	8.89	10.68
10	14.62	11.43	13.22
12	17.16	13.97	15.76
14	19.70	16.51	18.30
16	22.24	19.05	20.84
18	24.78	21.59	23.38
20	27.32	24.13	25.92
22	29.86	26.67	28.46
24	32.40	29.21	31.00
26	34.94	31.75	33.54

Specifications:  
 Current rating:1.0A AC,DC  
 Voltage rating:30V AC, DC  
 Contact resistance:20m ohm Max  
 Insulation resistance:1000M ohm Min  
 Withstanding voltage:AC 500V AC/minute  
 Operating Temperature:-40°C ~ +105°C  
 Materials:  
 Insulator:High Temp Plastic UL94V-0  
 Contact material:Phosphor Bronze  
 Finish:Tin Plated



MIM-SD-xx-LF  
 LEADFREE

RoHS Compliant



PCB Layout



PART NO. MIM-SD-xx		CHECKED BY CY		TOLERANCES ARE .X±0.2 .XX±0.15 XXX± AWG	DESCRIPTION: 2.54mm PCB Connector 180° Type			
DWG NO. MIM-SD-xx		DRAWING BY			AREA	REVISIONS	HK	DATE
FILE NO.		PROJECTION						
UNIT / mm	SCALE 1:1							

煜倫股份有限公司