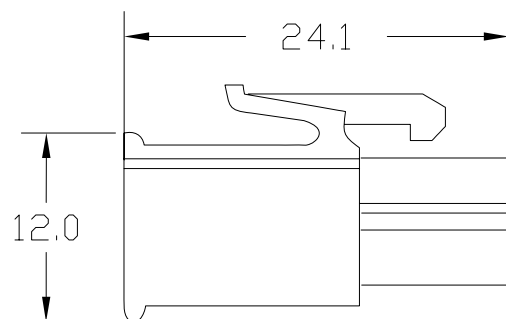
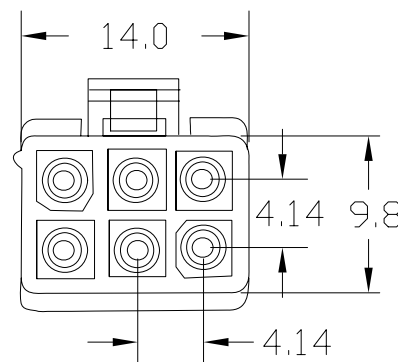


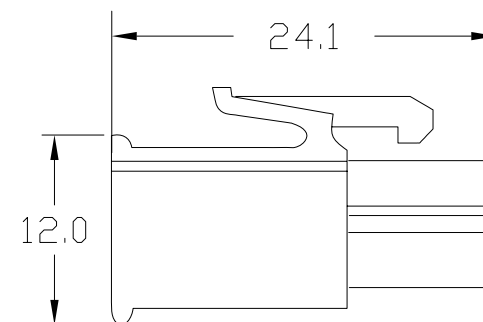
Pcs/1bag
1000



ML-S-2X2



Pcs/1bag
1000



ML-S-2X03

SPECIFICATIONS

Voltage rating:300V AC,DC

Current rating:5A AC,DC

Withstanding voltage:1500V AC/minute

Insulation resistance:1000MΩHM min

Temperature range:-25°C~+90°C

Material:UL94V-2 Nylon 66

RoHS Compliant

TOLERANCES ARE

MORETHANALL
PCB CONNECTORS
Cable ASSEMBLIES
煜倫股份有限公司

DRAWING BY CY

CHECKED BY GENIUS

UNIT / mm

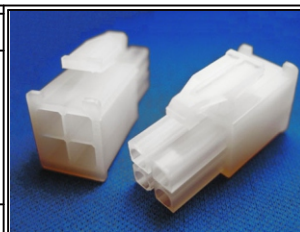
SCALE 1:1

DATE

SIZE A4

P PROJECTION

X.±
.X±
.XX±
.XXX±
ANG±



ORDER INFORMATION

ML-S-2Xxx-LF
SERIES | LEADFREE
2X02:04 WAY
2X03:06 WAY
FEMALE HOUSING

DESCRIPTION:

www.morethanall.com