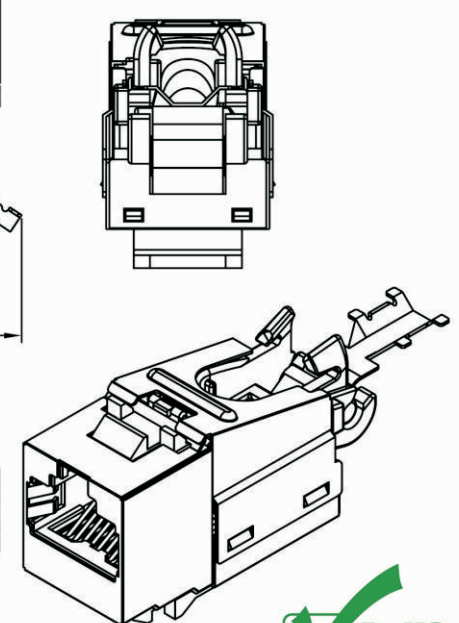
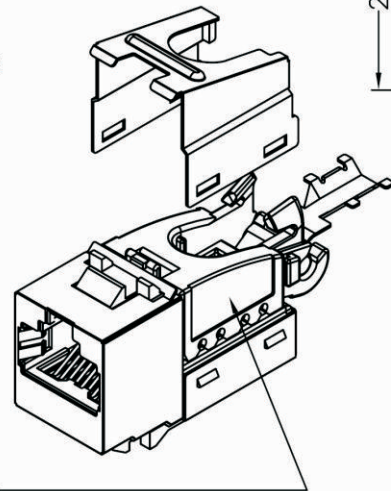
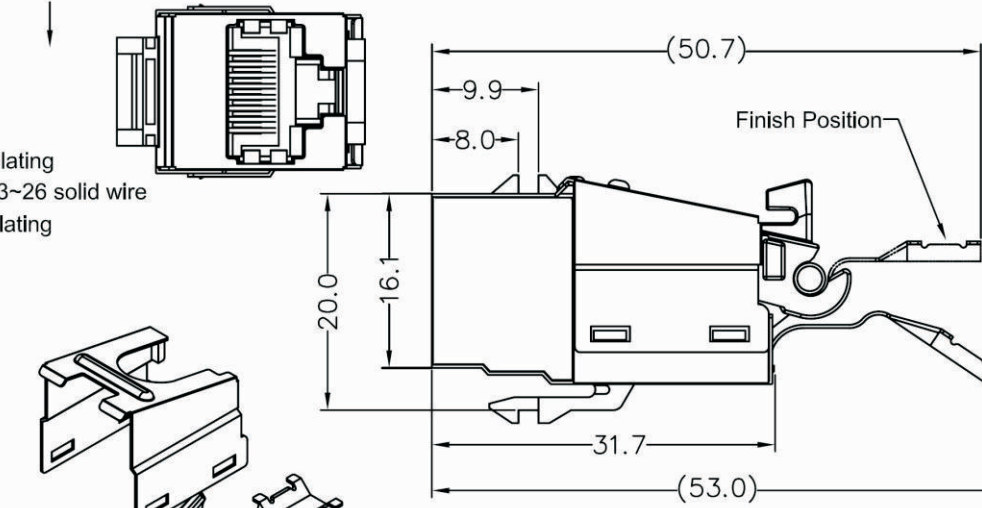
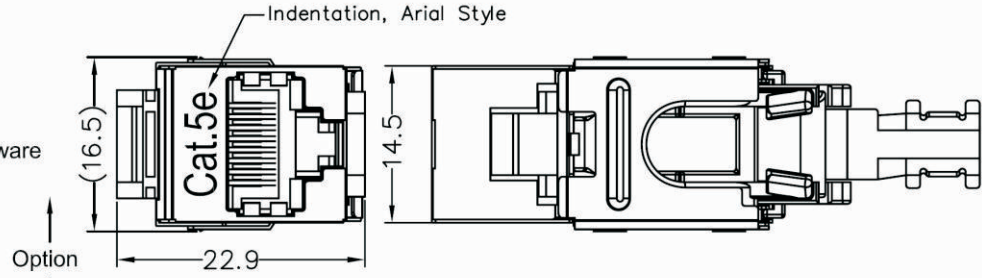


**Specification:**

TIA/EIA 568-B.2 Cat.5e  
 ISO/IEC 11801 2nd Class D Connecting Hardware  
 EN 50173-1  
 IEC 60603-7-2

**Physicals**

Housing : PC,UL94V-0  
 PCB MODULE  
 Insertion : PBT UL94V-0  
 Contact : Ø 0.46 mm Phosphor Bronze  
 30 Micro inches gold over nickel plating  
 IDC termination for cable : Accept AWG 23~26 solid wire  
 Terminal : 0.4 mm Phosphor Bronze tin plating  
 IDC Holder : PC,94V-0  
 PCB : FR4 1.0mm Thickness  
 Cap : PC,UL94V-0  
 SHIELD CAP : SPTE 0.30mm Thickness  
 SHIELD BASE : SPTE 0.30mm Thickness



BOTH SIDES COLOR CODE LABEL



煜倫股份有限公司

PART NO. MJK16CE-TWF30UL-0808		CHECKED BY CY		TOLERANCES ARE .X ± 0.2 .XX ± .XXX ± AWG	DESCRIP TION:			
DWG NO. MJK16CE-TWF30UL-0808		DRAWING BY			AREA	REVISIONS	HK	DATE
FILE NO.	UNIT / mm	SCALE 1:1	PROJECTION					