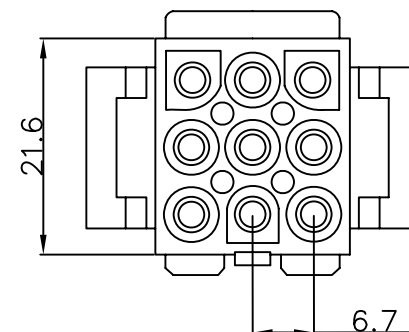
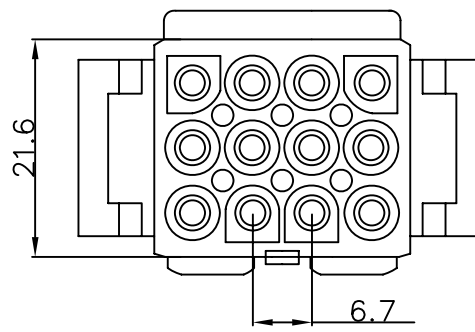
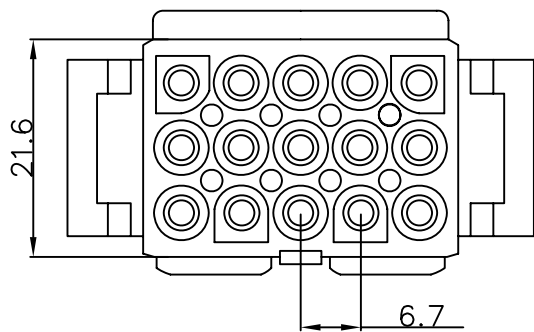
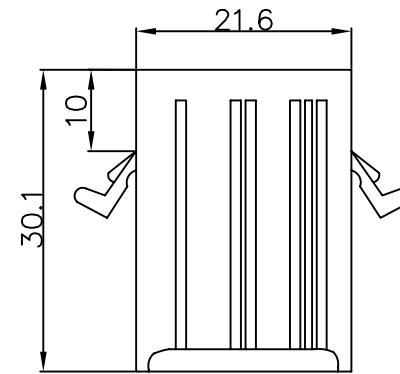
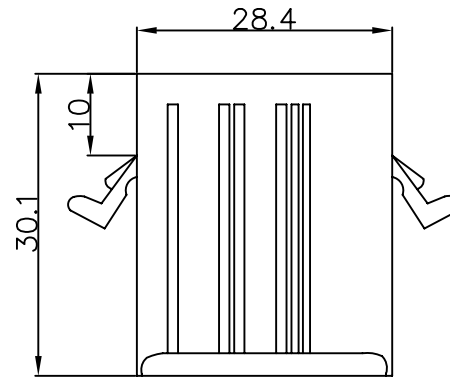
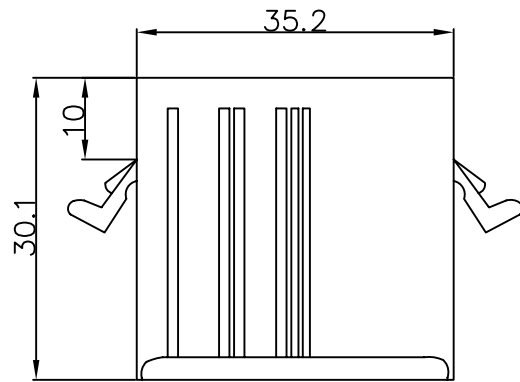


SPECIFICATIONS

Voltage rating: 300V AC,DC
 Current rating: 12A,AC,DC
 Withstanding voltage: 1500V AC/minute
 Insulation resistance: 1000M OHM min
 Temperature range: -25°C~+85°C
 Material: UL94V-2 nylon 66



PWL-PE-3X05

PWL-PE-3X04

PWL-PE-3X03

RoHS Compliant

TOLERANCES ARE

MORETHANALL
 PCB CONNECTORS
 Cable ASSEMBLIES

煜倫股份有限公司

www.morethanall.com

DRAWING BY CY

CHECKED BY GENIUS

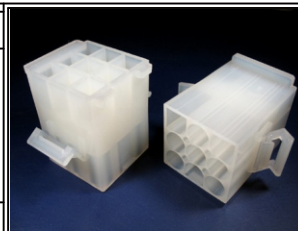
UNIT / mm SCALE 1 : 1

DATE

SIZE A4

PJECTION

X, ±
 X, ±
 .XX ±
 .XXX ±
 ANG ±



ORDER INFORMATION

PWL-PE-3Xxx-LF
 SERIES | LEADFREE
 3X03:09 WAY
 3X05:15 WAY
 EAR
 MALE HOUSING

DESCRIPTION: