

1 2 3 4 5 6 7 8 9 0

J

I

H

G

F

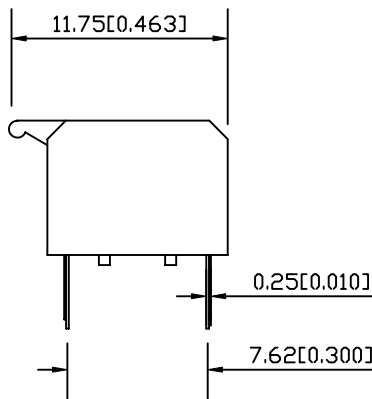
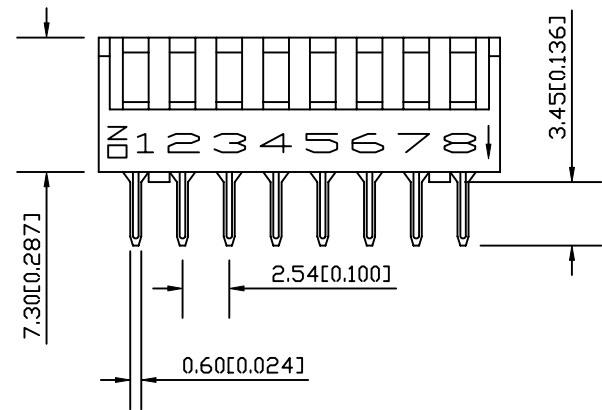
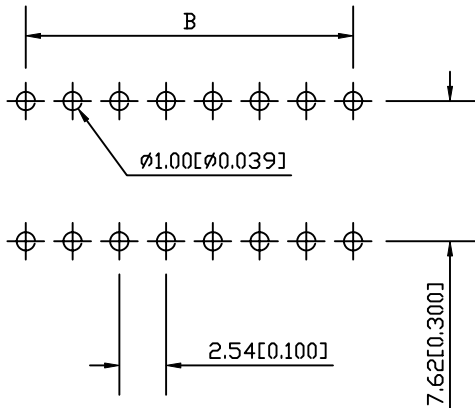
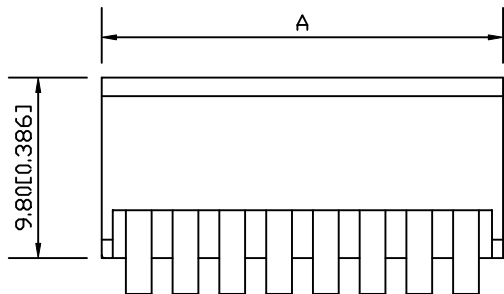
E

D

C

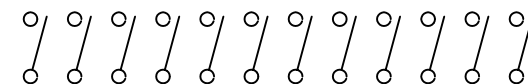
B

A



NO. of Position	A (mm/inch) $\pm(0.10/.04)$	B (mm/inch)
2	6.60/0.260	2.54/0.100
3	9.14/0.360	5.08/0.200
4	11.68/0.460	7.62/0.300
5	14.22/0.560	10.16/0.400
6	16.76/0.660	12.70/0.500
7	19.30/0.760	15.24/0.600
8	21.80/0.858	17.78/0.700
9	24.38/0.960	20.32/0.800
10	26.92/1.060	22.86/0.900
12	32.00/1.260	27.94/1.100

Contact Arrangement



Switches shown in open position

SW-Pxx-xx-LF
 | LEADFREE
 | POSITION
 COLOR: BL: BLUE
 BK: BLACK

RoHS Compliant

MORETHANALL
CONNECTORS
ASSEMBLIES

PART NO. SW-Pxx-xx

DWG NO. SW-Pxx-xx

FILE NO.

UNIT / mm

SCALE 1:1

CHECKED BY CY

DRAWING BY

PROJECTION

TOLERANCES ARE

.X \pm 0.2
.XX \pm
.XXX \pm
AWG

DESCRIPTION: DIP SWITCH PIANO TYPE AND RAISE ACTUATOR

AREA	REVISIONS	HK	DATE
------	-----------	----	------

煜倫股份有限公司