

FEATURES:

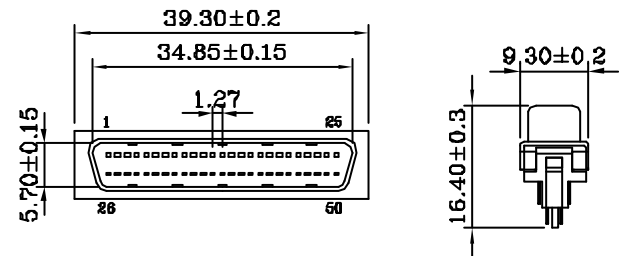
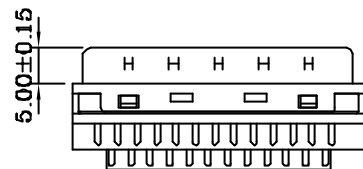
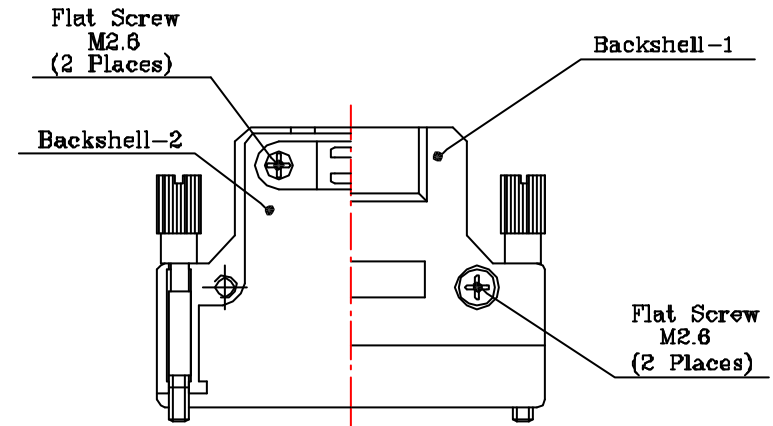
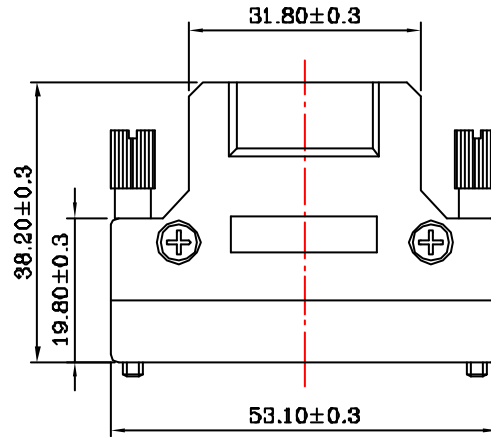
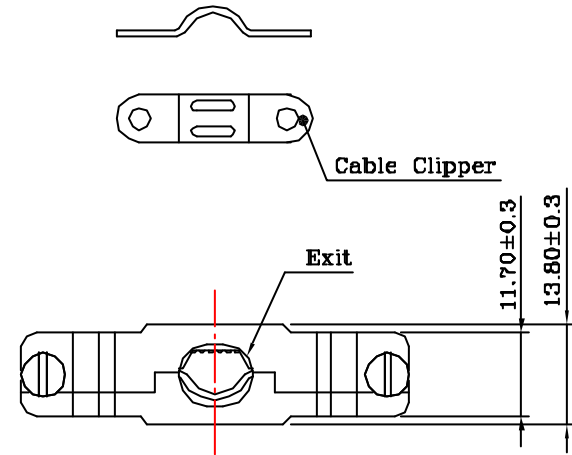
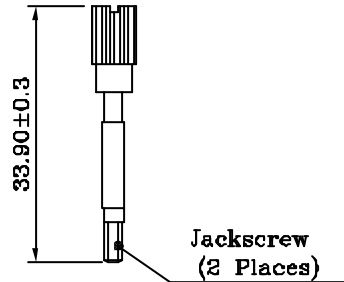
- Half pitch 1.27mm(.050") series
- D-SUB Male connector solder type for cable
- Assembly hood: with ABS plastic (steel inner shell) or Die-Cast metal
- Fully EMI/RFI shielded

MATERIALS:

- Housing: Thermoplastic P.B.T UL94V-0 black
- Contacts: Phosphor bronze mating end selective gold plated
- Front Shell: Steel nickel plated over copper

ELECTRICAL:

- Current Rating: 1 Amp
- Insulation Resistance: 500MΩ/Min
- Withstanding Voltage: AC 500V/Min
- Contact Resistance: 35mΩ MAX
- Temperature Range: -55°C ~ +105°C



MORETHANALL
CONNECTORS
ASSEMBLIES

焯倫有限公司

PART NO. **HPD-PSM-050**

DWG NO. **HPD-PSM-050**

FILE NO.

UNIT / mm

SCALE 1:1

CHECKED BY **CY**

DRAWING BY

PROJECTION

TOLERANCES ARE

.X ±
.XX ±
.XXX ±
AWG

DESCRIPTION:			
AREA	REVISIONS	HK	DATE