

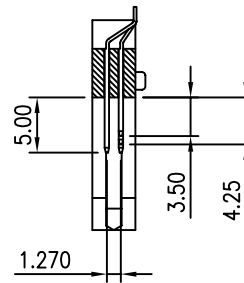
| TABLE | | |
|----------|------------------|-------------|
| Pin Type | Interface Dim. | Pin No. |
| Detect | 3.5mm (0.138in) | 25,26 |
| General | 4.25mm (0.167in) | The Others |
| Power | 5.0mm (0.197in) | 01,13,38,50 |

MATERIAL

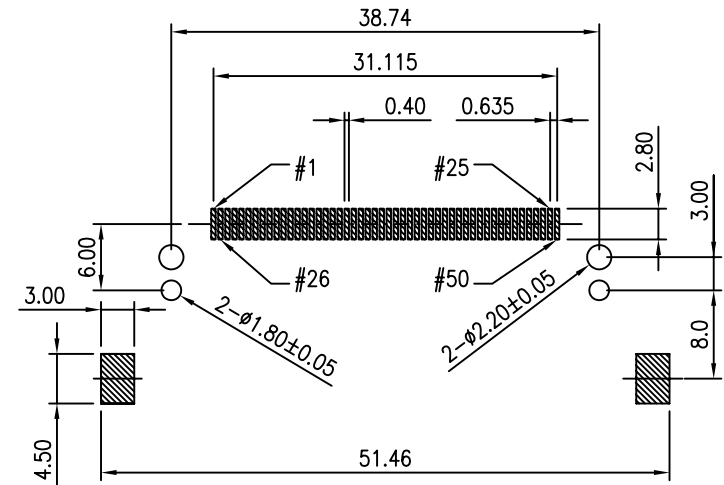
HOUSING: HIGH TEMPERATURE THERMOPLASTIC.
 CONTACT: COPPER ALLOY.
 PED: BRASS.

PLATING

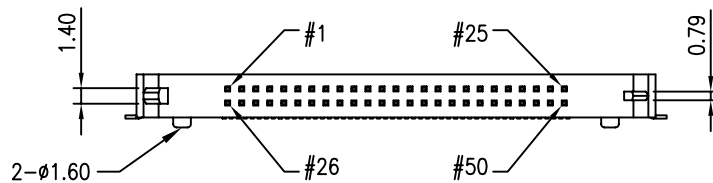
CONTACT: UNDERPLATED: 50 μ" MIN Ni.
 CONTACT AREA: SELECT GOLD OVER Ni PLATED.
 SOLDER TAIL: 100 μ" MIN Sn/Pb OVER Ni PLATED.
 PED: 100 μ" MIN Sn/Pb OVER 50 μ" MIN Ni PLATED.



SECTION A-A



RECOMMENDED P.C.B. LAYOUT



RoHS Compliant

TOLERANCES ARE



煜倫股份有限公司

www.morethanall.com

DRAWING BY CY

CHECKED BY GENIUS

UNIT / mm SCALE 1 : 1

DATE

SIZE A4

X. ±

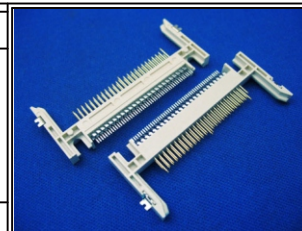
.X ±

.XX ±

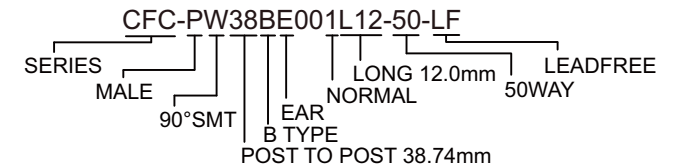
.XXX ±

ANG ±

P PROJECTION



ORDER INFORMATION



DESCRIPTION: CF Card Header Slim Type Normal L=19mm Post:38.74mm