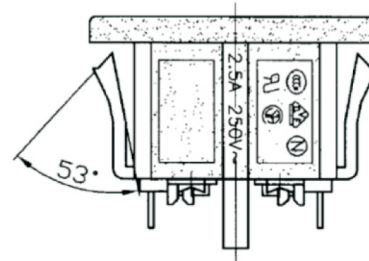
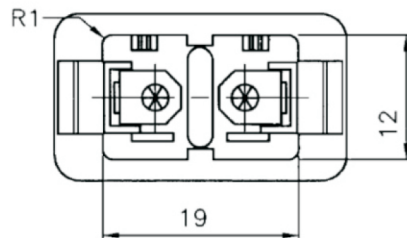
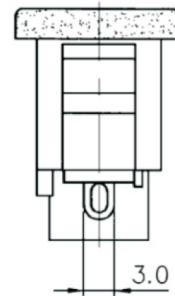
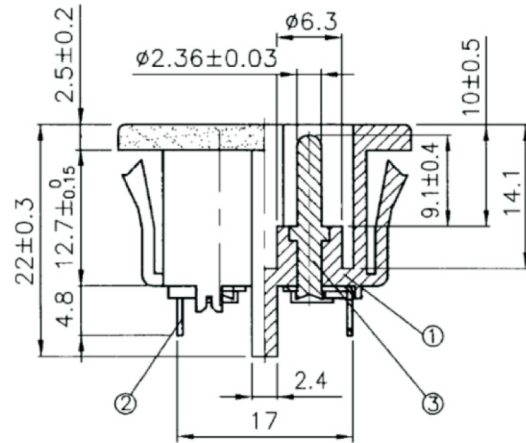


PANEL CUTOUT THICKNESS 0.6mm~2.0mm

Rating: 2.5A 250V AC
 Approvals: UL/CSA/VDE/
 NEMKO/CCC



ACC-PSVPA-02-LF
 LEADFREE
 RoHS Compliant

MORETHANALL
 CONNECTORS
 ASSEMBLIES

煜倫股份有限公司

PART NO. ACC-PSVPA-02

DWG NO. ACC-PSVPA-02

FILE NO.

UNIT / mm

SCALE 1:1

CHECKED BY CY

DRAWING BY

PROJECTION

TOLERANCES ARE

.X ± 0.2
 .XX ±
 .XXX ±
 AWG

DESCRIPTION:

AREA

REVISIONS

HK

DATE