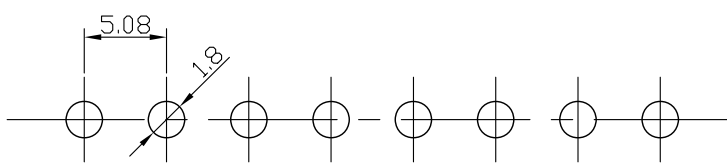
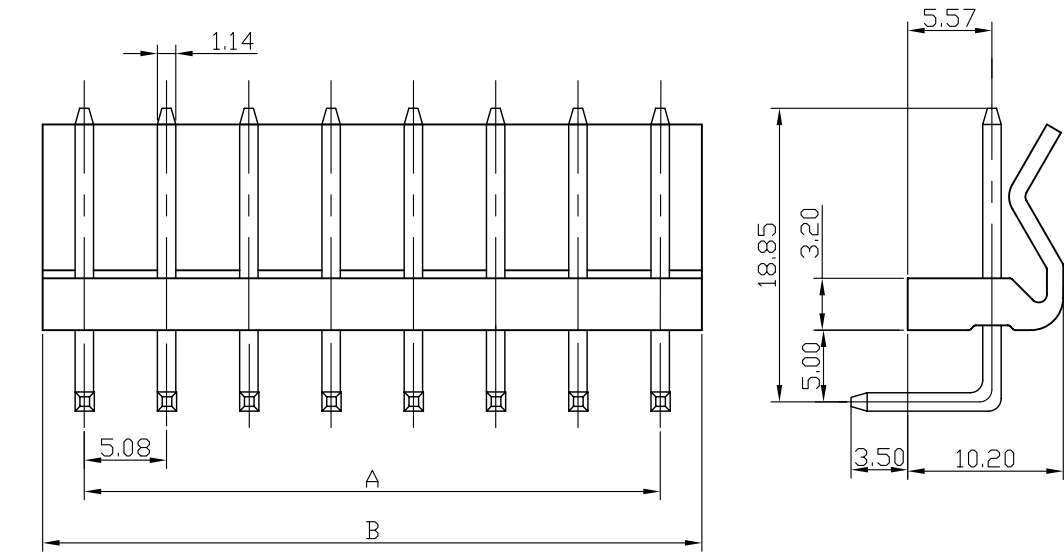
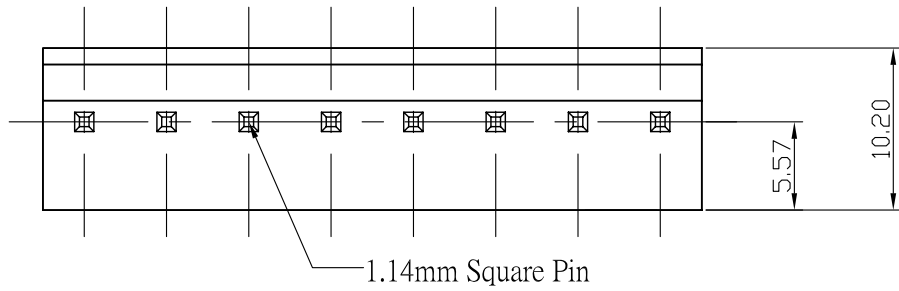


1 2 3 4 5 6 7 8 9 0

J
I
H
G
F
E
D
C
B
A



RECOMMENDED P.C. BOARD HOLE DIM.

LK-R-xx-LF
LEADFREE

RoHS Compliant

Specifications

Electrical

- Voltage Rating: 250V(AC)
- Current Rating: 7A
- Contact Resistance: 20m Ω max.
- Dielectric Withstanding Voltage: 1000V AC/1min.
- Insulation Resistance: 1000M Ω min.

Material

- Circuits: 2~20
- Insulator: Nylon 66 UL 94V-2
- Color: Natural
- Contact: Brass 1.14mm(0.45 ") Square Wire Pins
- Plating: Tin or Gold Plated
- Temperature Range: -25 °C~+85 °C

Poles	Dimension		Part NO.
	A	B	
2	5.08	10.22	LK-R-02
3	10.16	15.30	LK-R-03
4	15.24	20.38	LK-R-04
5	20.32	25.46	LK-R-05
6	25.40	30.54	LK-R-06
7	30.48	35.62	LK-R-07
8	35.56	40.70	LK-R-08
9	40.64	45.78	LK-R-09
10	45.72	50.86	LK-R-10



PART NO. LK-R-xx		CHECKED BY CY		TOLERANCES ARE		DESCRIPTION: 5.08mm Wire-to-Board Header DIP 90° Type			
DWG NO. LK-R-xx		DRAWING BY		.X ±0.5 .XX ±0.1 .XXX AWG					
FILE NO.		PROJECTION		UNIT / mm		AREA	REVISIONS	HK	DATE
SCALE 1:1		⊕							

煜倫股份有限公司