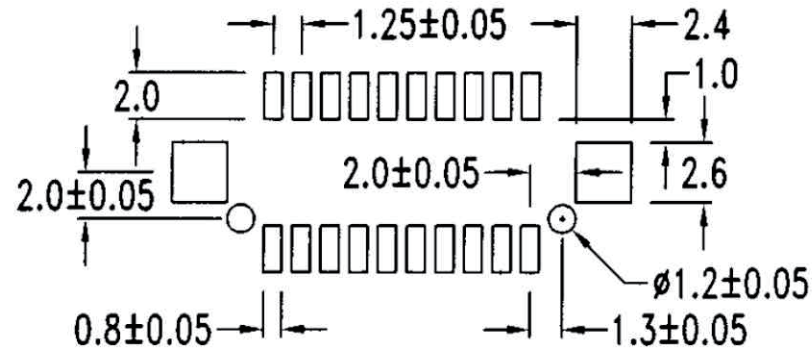
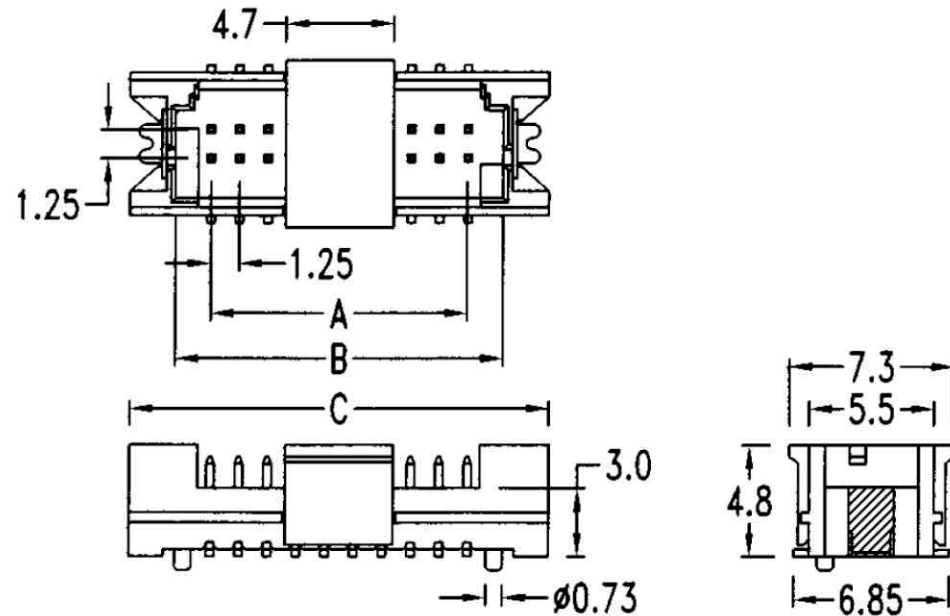


Features:

- 10, 20, 30, 40 circuits available
- .014"(0.35mm) square pin
- Pin Material: Gold-flash brass
- Insulation: Nylon 9T

Specification:

- Current rating : 1A AC, DC
- Voltage rating: 100V AC, DC
- Contact resistance: 20mΩ max.
- Dielectric withstanding voltage: 500V AC/minute
- Ambient temperature range: -25°C ~ 85°C



PCB layout: Solider side

Dimensional Information (mm)

Circuits	Dim. A	Dim. B	Dim. C
10	5.00	8.10	12.2
20	11.25	14.35	18.5
30	17.50	20.60	24.8
40	23.75	26.85	31.1

RoHS Compliant

TOLERANCES ARE

MORETHANALL
PCB CONNECTORS
Cable ASSEMBLIES

煜倫股份有限公司

www.morethanall.com

DRAWING BY CY

CHECKED BY GENIUS

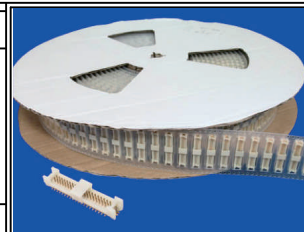
UNIT/mm SCALE 1:1

DATE

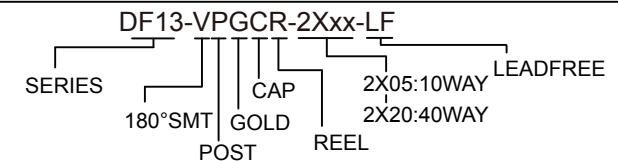
SIZE A4

P PROJECTION

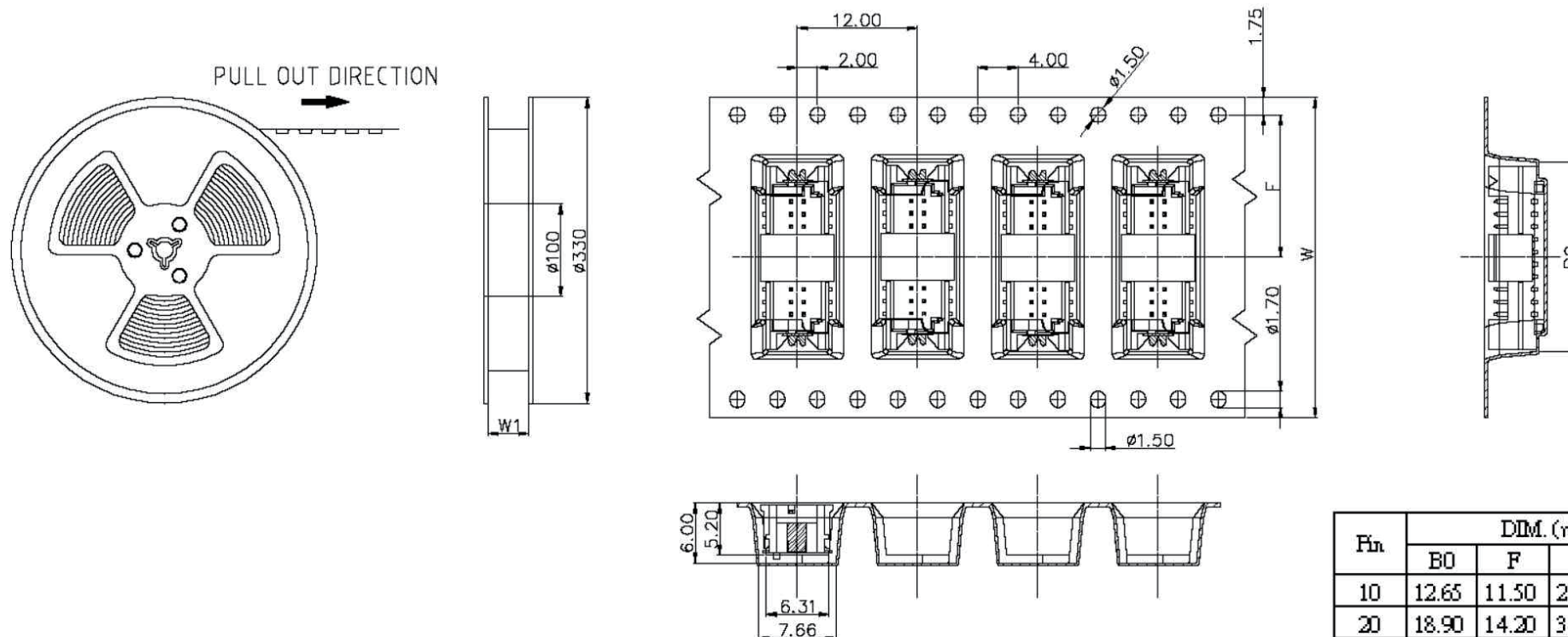
X.±
.X±
.XX±
.XXX±
ANG±



ORDER INFORMATION



DESCRIPTION:



F _n	DDM. (mm)			
	B0	F	W	W1
10	12.65	11.50	24.00	24.50
20	18.90	14.20	32.00	32.50
30	25.15	20.20	44.00	44.50
40	31.40	20.20	44.00	44.50

- NOTES:
1. 10 SPROCKET HOLE PITCH CUMULATIVE TOLERANCE ± 0.20 .
 2. CARRIER CAMBER IS WITHIN 1 mm IN 250 mm.
 3. MATERIAL : BLACK CONDUCTIVE POLYSTYRENE ALLOY.(UP-5000)
 4. ALL DIMENSIONS MEET EIA-481-C REQUIREMENTS.
 5. THICKNESS : 0.35 ± 0.05 mm.
 6. COMPONENT LOAD PER 19" REEL : 900 PCS.

RoHS Compliant

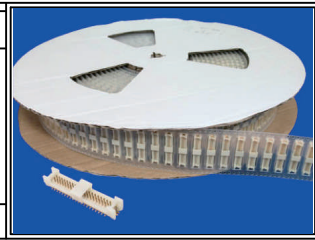
TOLERANCES ARE

MORETHANALL
PCB CONNECTORS
Cable ASSEMBLIES

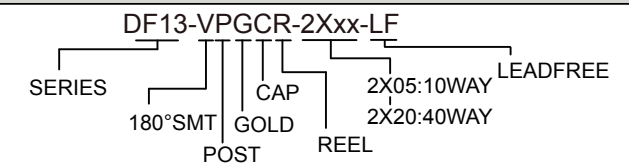
煜倫股份有限公司

www.morethanall.com

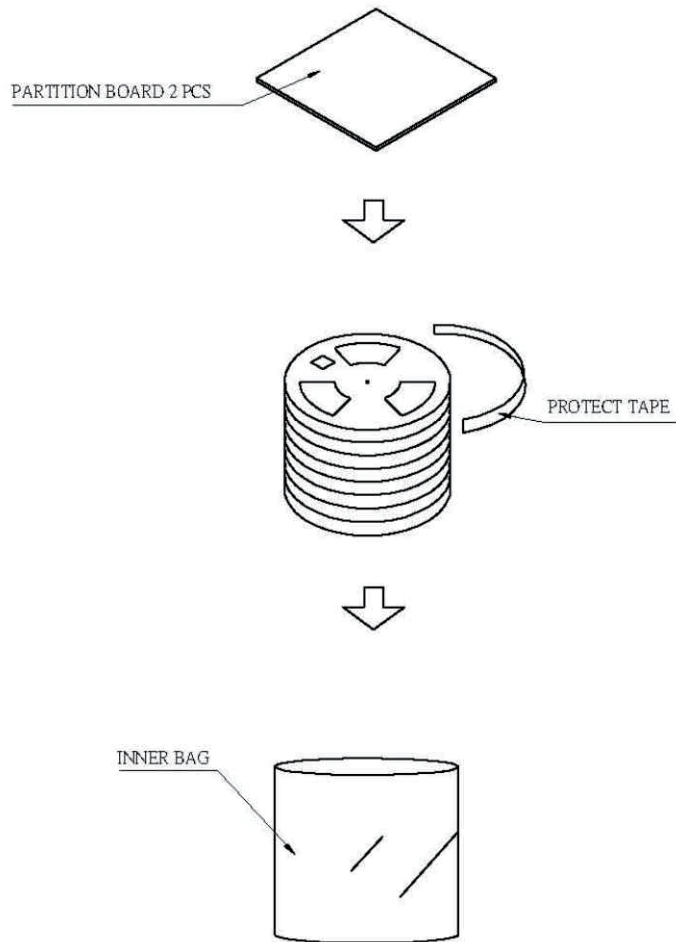
DRAWING BY CY		X. \pm .X \pm .XX \pm .XXX \pm ANG \pm
CHECKED BY GENIUS		
UNIT/ mm	SCALE 1:1	
DATE		
SIZE A4	P PROJECTION	



ORDER INFORMATION

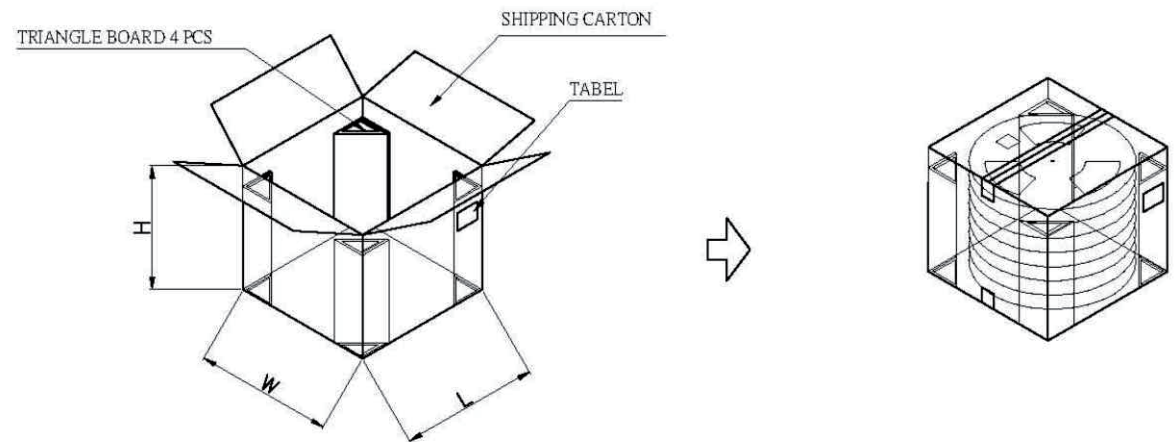


DESCRIPTION:



PACKING MATERIAL	
PART NAME	DIM. (mm)
REEL	Ø330*(W+0.5)
CARTON	350*350*340

PACKING CAPACITY			
PART NO.	PCS/RE	RE/BC	PCS/BC
2*5	900 PCS/RE	10 RE/BC	9,000 PCS/BC
2*10	900 PCS/RE	8 RE/BC	8,000 PCS/BC
2*15	900 PCS/RE	6 RE/BC	5,400 PCS/BC
2*20	900 PCS/RE	6 RE/BC	5,400 PCS/BC



MORETHANALL
PCB CONNECTORS
Cable ASSEMBLIES

煜倫股份有限公司

www.morethanall.com

RoHS Compliant

DRAWING BY CY

CHECKED BY GENIUS

UNIT/mm SCALE 1:1

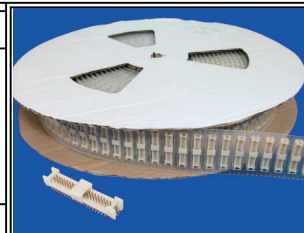
DATE

SIZE A4

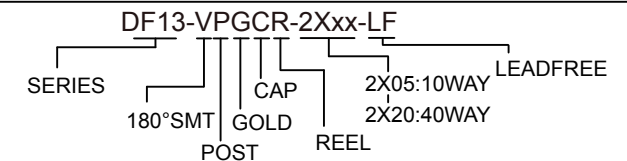
TOLERANCES ARE

X.±
.X±
.XX±
.XXX±
ANG±

PPOJECTION



ORDER INFORMATION



DESCRIPTION: