

Recommended P.C.B Layout

MATERIAL

Contact Pin : Brass
 Insulator : NY9T UL 94-V0

SPECIFICATION

Current Rate : 3 AMP
 Insulation Resistance : 5000MΩMin. at DC 500V
 Contact Resistance : 20mΩMax. at DC 100mA
 Dielectric Voltage : AC 500V for one minute

RoHS Compliant

MORETHANALL
 PCB CONNECTORS
 Cable ASSEMBLIES

煜倫股份有限公司

www.morethanall.com

DRAWING BY CY

CHECKED BY GENIUS

UNIT / mm

SCALE 1 : 1

DATE

SIZE A4

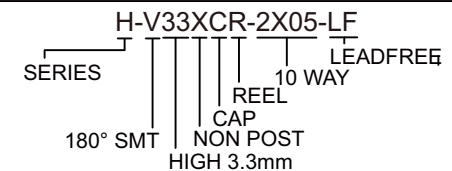
TOLERANCES ARE

X. ±
 .X ± 0.30
 .XX ± 0.20
 .XXX ±
 ANG ± 3°

PJECTION

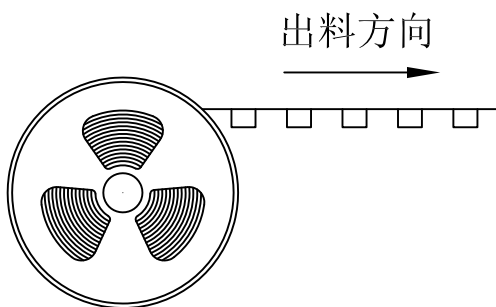
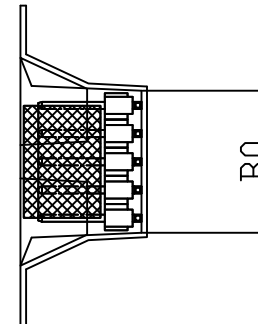
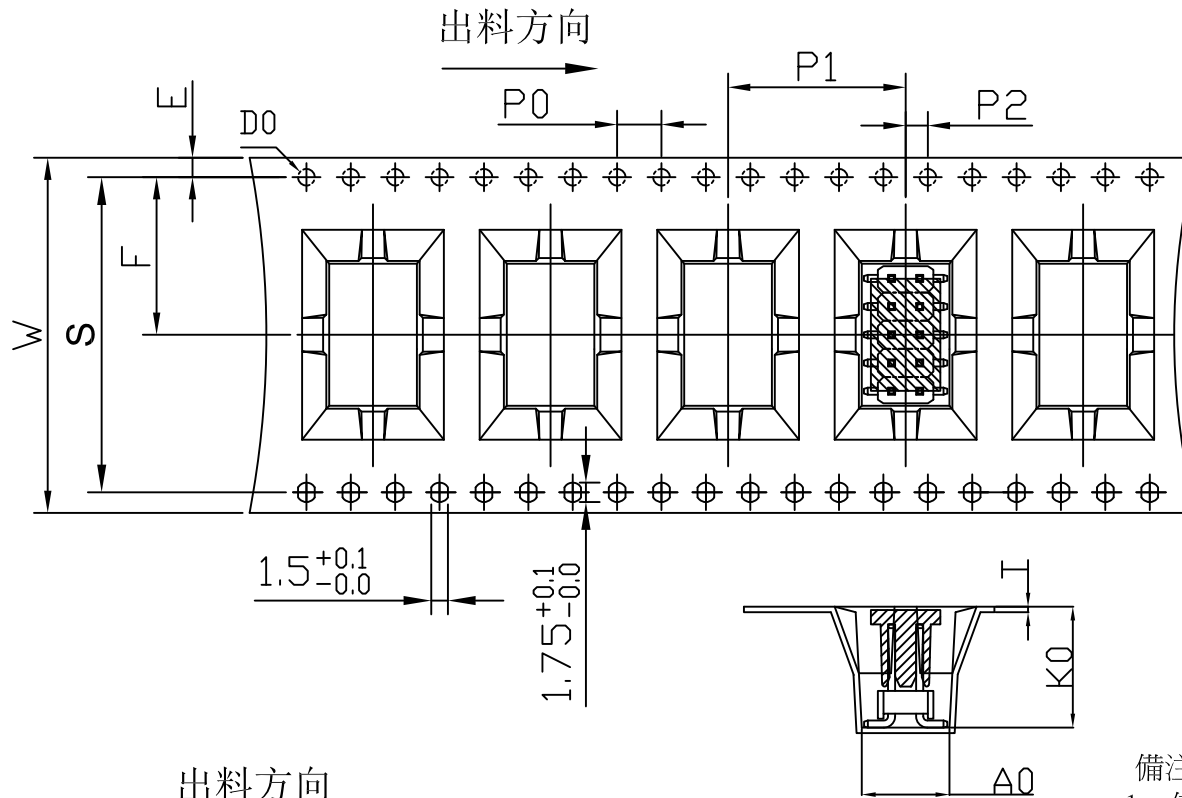


ORDER INFORMATION



DESCRIPTION: PIN HEADER 2.54*2.54mm
 SMT S/T TYPE, DUAL ROWS CAP+ REEL

ITEM	W	A0	B0	K0	P0	P1	P2	F	S	E	D0	T
DIM	32±0.30	7.90±0.1	12.8±0.1	10.9±0.1	4.0±0.1	16.0±0.1	2.0±0.1	14.2±0.1	28.4±0.1	1.75±0.1	1.5 ^{+0.10} _{-0.00}	0.5±0.05



備注:

1. 任意10個棘輪孔的累計誤差不超過±0.2mm.
2. 載帶長度方向100mm距離的非平行度不可超過1mm.
3. 所有尺寸依國際EIA-481-3標準
4. 材質: 黑色 PS料, 厚度 0.5 ±0.05mm.
5. 13英寸膠盤包裝 350 PCS. 6. 1 M 前后空格: 15PCS

RoHS Compliant

TOLERANCES ARE

MORETHANALL
PCB CONNECTORS
Cable ASSEMBLIES

DRAWING BY CY

CHECKED BY GENIUS

UNIT / mm SCALE 1 : 1

DATE

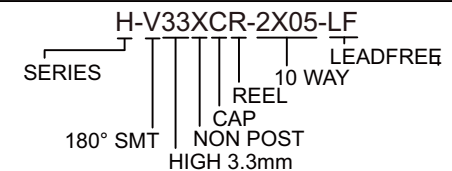
SIZE A4

X, ±
.X ± 0.30
.XX ± 0.20
.XXX ±
ANG ± 3°

P PROJECTION



ORDER INFORMATION



DESCRIPTION: PIN HEADER 2.54*2.54mm
SMT S/T TYPE, DUAL ROWS CAP+ REEL

煜倫股份有限公司

www.morethanall.com