

DETAIL A

SPECIFICATION

1.MATERIAL

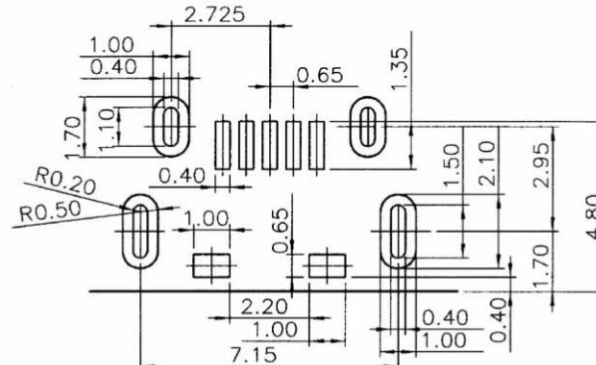
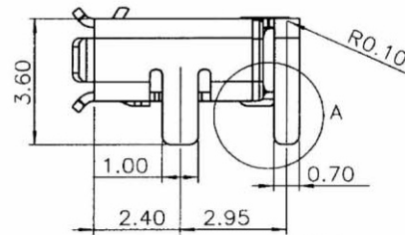
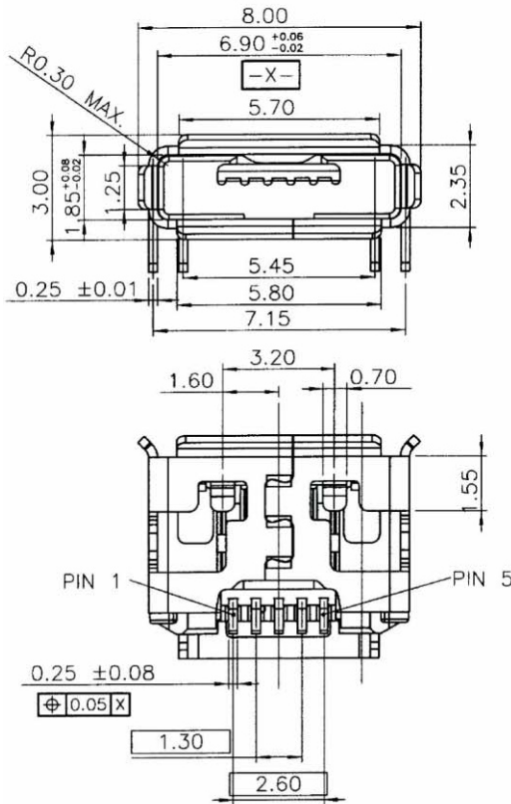
Insulator: Thermal Plastic UL94V-0
 Contacts: Copper Alloy T=0.2mm
 CONTACT AREA PLATING:15u"~30u" Selective Gold
 SOLDER AREA PLATING:1u" Gold
 Shell: Stainless T=0.25mm Underplate Nickel 20u" Tin 100u"

2.MECHANICAL:

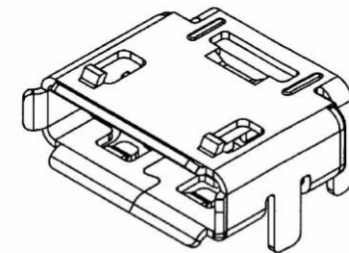
MATING FORCE:35N MAX.
 UNMATING FORCE:10N MIN. INITIAL
 8~20N AFTER 10000 CYCLES
 DURABILITY:10000 CYCLES

3.ELECTRICAL

Operation voltage: 30V MAX.
 Current rating: 1.0 Amps max.
 Contact resistance: 30 mohms MAX. initial
 40 mohms MAX. AFTER 10000 CYCLES
 Insulation resistance: 100 Mohms min @ 500 VDC
 Dielectric withstanding voltage: 100 VAC / minute
 Temperature range: -30°C TO +85°C



RECOMMENDED PCB LAYOUT
 TOLERANCE: ±0.05mm
 PCB THICKNESS: 0.8mm
 TOP VIEW



RoHS Compliant

TOLERANCES ARE

MORETHANALL
 PCB CONNECTORS
 Cable ASSEMBLIES

DRAWING BY CY

CHECKED BY GENIUS

UNIT / mm

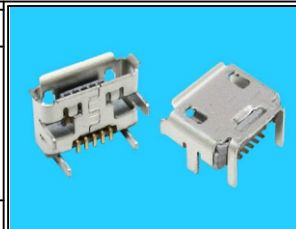
SCALE 1 : 1

DATE

SIZE A4

PJECTION

X, ±
 X, ±
 .XX ±
 .XXX ±
 ANG ±



ORDER INFORMATION

MISB-SWMM-5AB-LF
 SERIES | LEADFREE
 5 PIN AB TYPE
 METAL FOOT
 90°SMT
 FEMALE

煜倫股份有限公司

www.morethanall.com

DESCRIPTION: