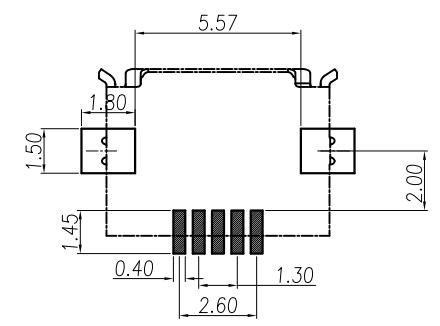
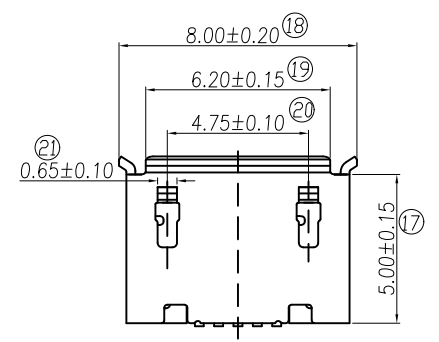
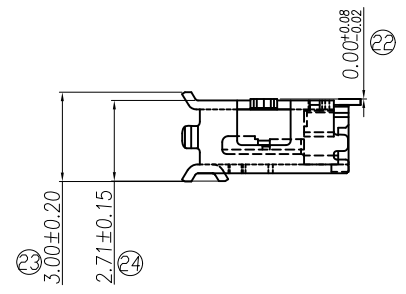
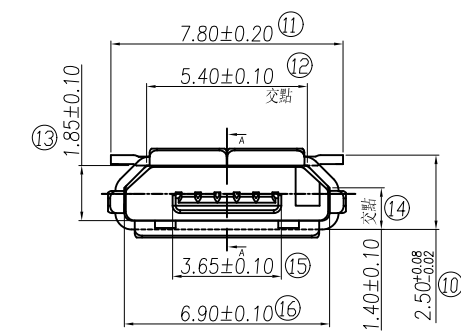


公母对插内部结构图

NOTE:

- 1.ELECTRICAL PROPERTIES:  
 1-1.CONTACT CURRENT RATING:1.8A(ONLY PIN1,5) AT THE SAME TIME 0.5A AT CONTACT PIN 2,3,4 OTHER 1A(ONLY PIN2,3 4).  
 1-2.CONTACT RESISTANCE:30m Ohm MAX  
 1-3.INSULATION RESISTANCE:100M Ohm MIN AT DC 500V.  
 1-4.DIELECTRIC WITHSTANDING VOLTAGE:AC 100V AC/1 MINUTE 10mA.
- 2.MATERIAL:  
 2-1.PIN: BRASS  
 2-2.HOUSING: LCP COLOR:BLACK  
 2-3.SHELL: Stainless Steel
- 3.PLATING:  
 3-1.PIN:UNDERPLATED 50u" MIN,NICKEL OVER ALL.  
 1u".3u".5u".10u".15u". 30u"GOLD ON CONTACT AREA.  
 100u" MIN, TIN ON SOLDER TAILS.  
 3-2. SHELL: 30~80u" ,NICKEL OVER ALL.
- 4.Temperature range: -40°C~+85°C



RECOMMEND P.C.B LAYOUT

3	SHELL	1	Stainless steel	T=0.30±0.01mm	Nickel Plated	D4470XX
2	CONTACT	5	Brass	T=0.20±0.01mm	Gold Flashfd	
1	HOUSING	1	LCP		Black	
No.	Part Name	Q'ty	Material	Thickness	Finish	Notes

MISB-SWR-5B-LF  
LEADFREE

RoHS Compliant

MORETHANALL  
CONNECTORS  
ASSEMBLIES

PART NO. MISB-SWR-5B

DWG NO. MISB-SWR-5B

FILE NO.

UNIT / mm

SCALE 1:1

CHECKED BY CY

DRAWING BY

PROJECTION

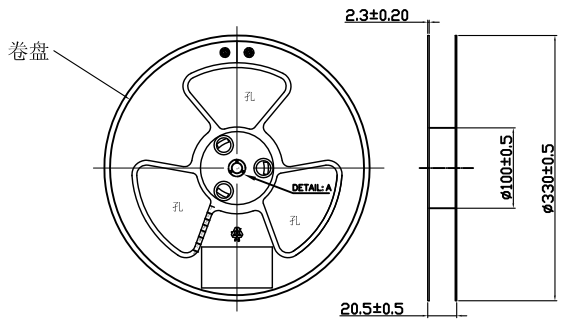
TOLERANCES ARE

- .X ± 0.2
- .XX ±
- .XXX ±
- AWG

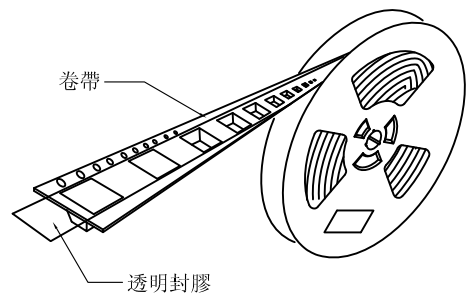
DESCRIPTION: MICRO USB 5PIN(F) B TYPE (无定位柱)

AREA	REVISIONS	HK	DATE
------	-----------	----	------

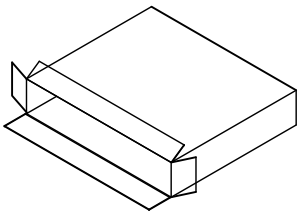
煜倫股份有限公司



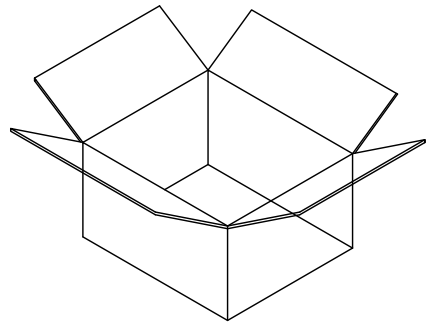
卷帶盤 (圖一)



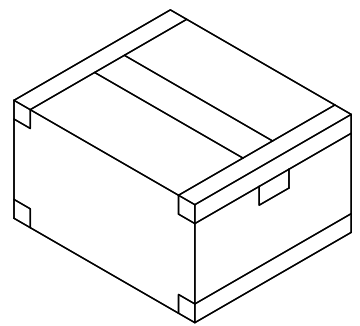
卷裝圖示 (圖二)



未封好  
內紙箱  
(圖三)



未封好  
外紙箱  
(圖四)



封好外  
紙箱  
(圖五)

包裝說明

1. 每卷帶盤裝1500PCS, 不可少數, 成品在盤內不可活動, 裝好後使用自動卷裝機粘合上透明封膠. 如圖(一, 二)所示. 卷帶盤規格為 $\phi 330.0 \times 20.5$ MM.
2. 將裝好的卷帶盤放入內紙箱內, 每個內紙箱放2盤, 用透明膠密封, 再將封裝好的內紙箱放入外紙箱中, 每個外紙箱放8個內紙箱, 共有產品24.0K, 最後用透明膠密封外紙箱. 如圖(三, 四, 五)所示. 內紙箱規格為 $350 \times 350 \times 58$ MM, 外紙箱規格為 $355 \times 368 \times 530$ MM
3. 紙箱外貼上環保標籤, 合格標籤, 產品規格說明, 並且貼在外箱側面的箱面規格說明的右上方 (僅貼一側)
4. 包裝材料: (JPL007, RR002, ZX011, ZX004)

**MORETHANALL**  
CONNECTORS  
ASSEMBLIES

煜倫股份有限公司

PART NO. MISB-SWR-5B		CHECKED BY CY		TOLERANCES ARE .X ± 0.2 .XX ± .XXX ± AWG	DESCRIP TION: MICRO USB 5P FEMALE S.M.T 成品類卷帶包裝規範
DWG NO. MISB-SWR-5B		DRAWING BY			
FILE NO.		PROJECTION		AREA	REVISIONS
UNIT / mm	SCALE 1:1			HK	DATE