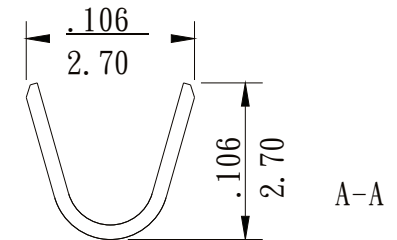
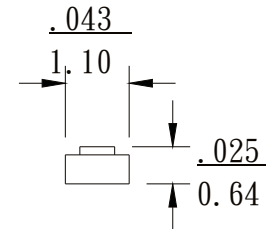
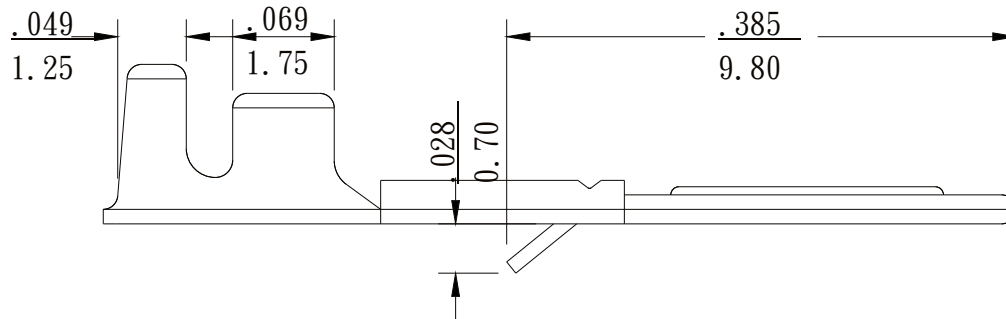
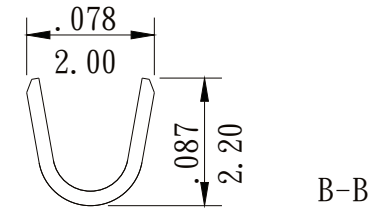
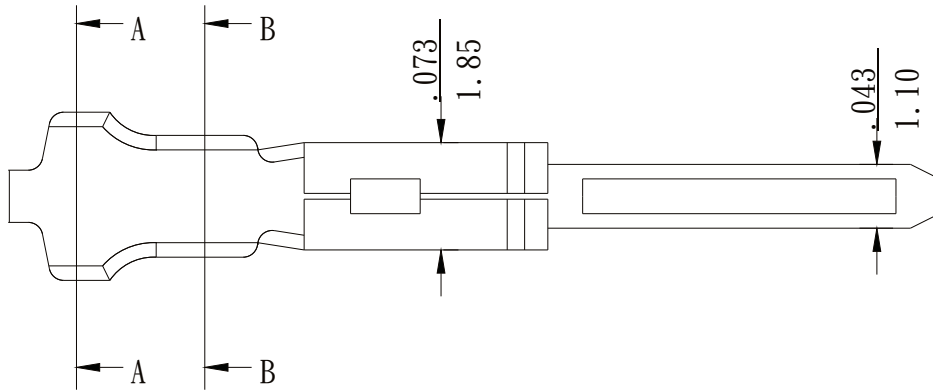


* Material : Brass

* Applicable wire : AWG# 28-#22

inch
mm



RoHS Compliant

TOLERANCES ARE

MORETHANALL
PCB CONNECTORS
Cable ASSEMBLIES

煜倫股份有限公司

www.morethanall.com

DRAWING BY CY

CHECKED BY GENIUS

UNIT / mm

SCALE 1 : 1

DATE

SIZE A4

PPOJECTION

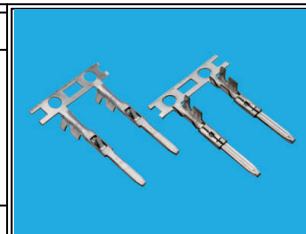
X, ±

.X ±

.XX ±

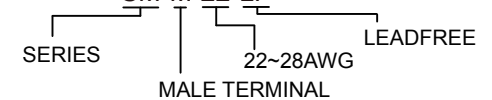
.XXX ±

ANG ±



ORDER INFORMATION

SM-M-22-LF



DESCRIPTION: (2.5mm) Wire-to-Wire Connectors