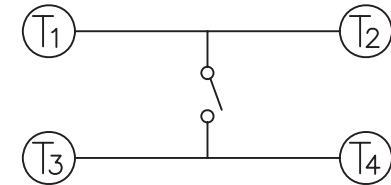
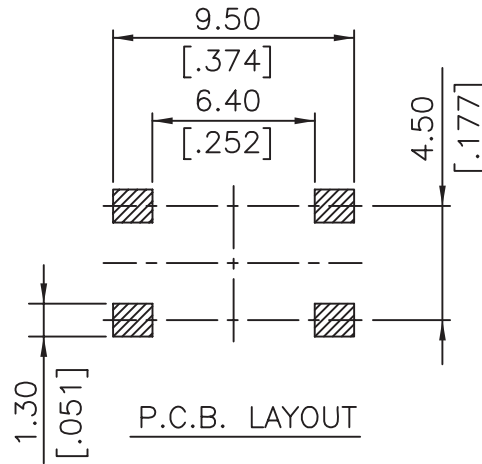
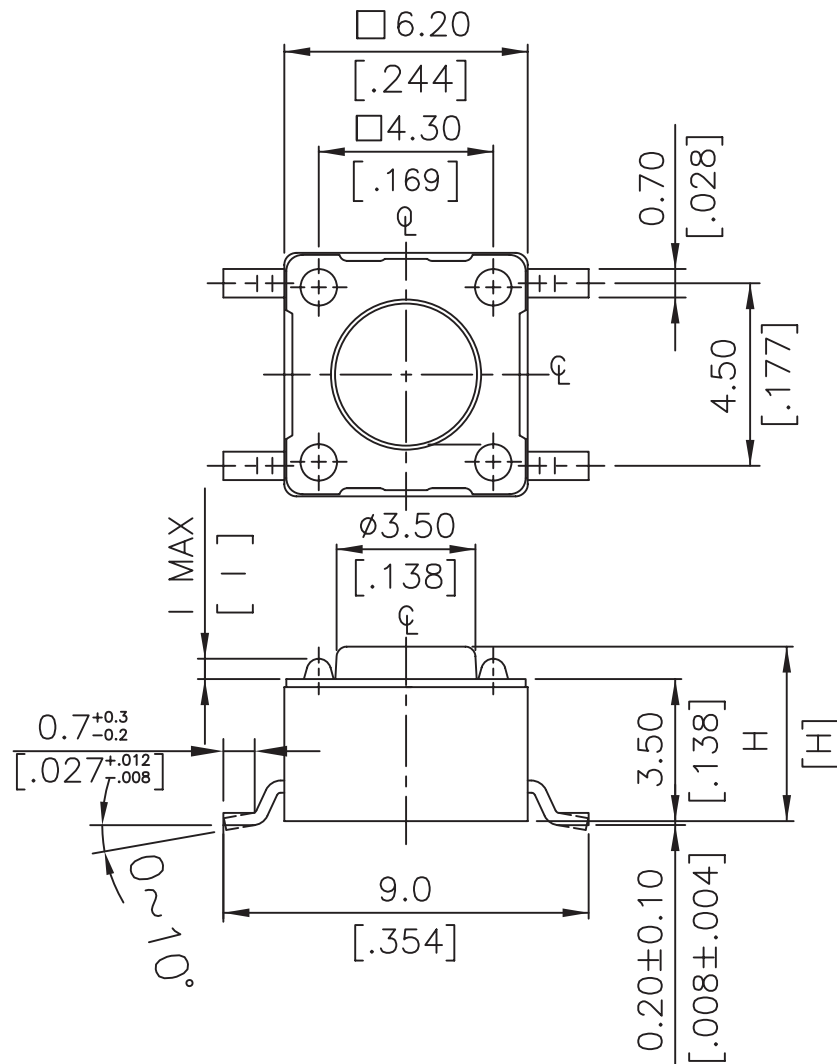


NOTE:

1. ALL DIMENSIONS ARE IN MILLIMETERS,
2. GENERAL TOLERANCES MAX. ±0.20mm.

BRACKETED DIMENSIONS

ARE IN INCHES.



CIRCUIT DIAGRAM

- TSW66-VxxxR-xxx-LF LEADFREE
- 130:13.0mmH
  - 095:9.5mmH
  - 070:7.0mmH
  - 050:5.0mmH
  - 043:4.3mmH
  - 100:100g.BLACK
  - 160:160g.BROWN
  - 260:260g.RED
  - 320:320g.SALMON
  - 520:520g.YELLOW

RoHS Compliant

TSW66-V130R-xxx	0.6 MAX	.0236MAX
TSW66-V043R-xxx	0.5 MAX	.0197MAX
PROD. NO.	I	INCHES.

TSW66-V130R-xxx	13.0[.512]
TSW66-V095R-xxx	9.5[.374]
TSW66-V070R-xxx	7.0[.275]
TSW66-V050R-xxx	5.0[.197]
TSW66-V043R-xxx	4.3[.169]
PROD. NO.	H

**MORETHANALL**  
CONNECTORS  
ASSEMBLIES

PART NO. TSW66-VxxxR-xxx

DWG NO. TSW66-VxxxR-xxx

FILE NO.

CHECKED BY CY

DRAWING BY

TOLERANCES ARE

.X ± 0.2  
.XX ±  
.XXX ±  
AWG

DESCRIPTION:

TACTILE SWITCH SMT TYPE  
6X6

煜倫股份有限公司

UNIT / mm

SCALE 1:1

PROJECTION



AREA

REVISIONS

HK

DATE