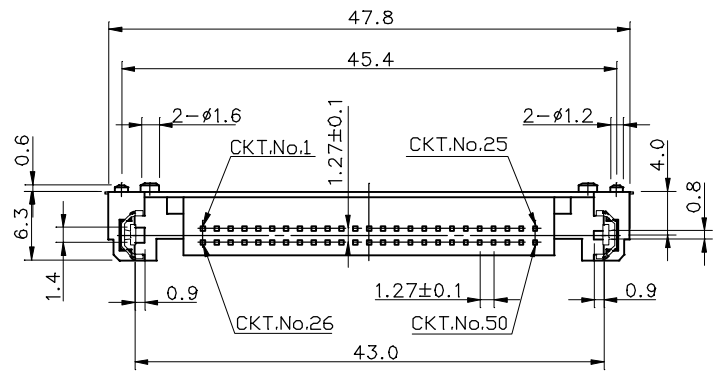
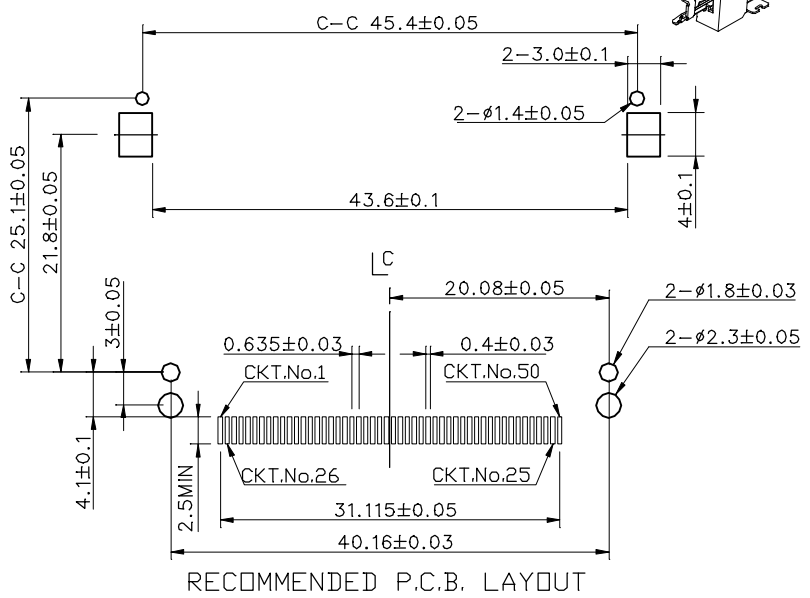
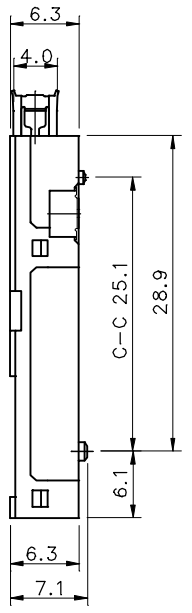
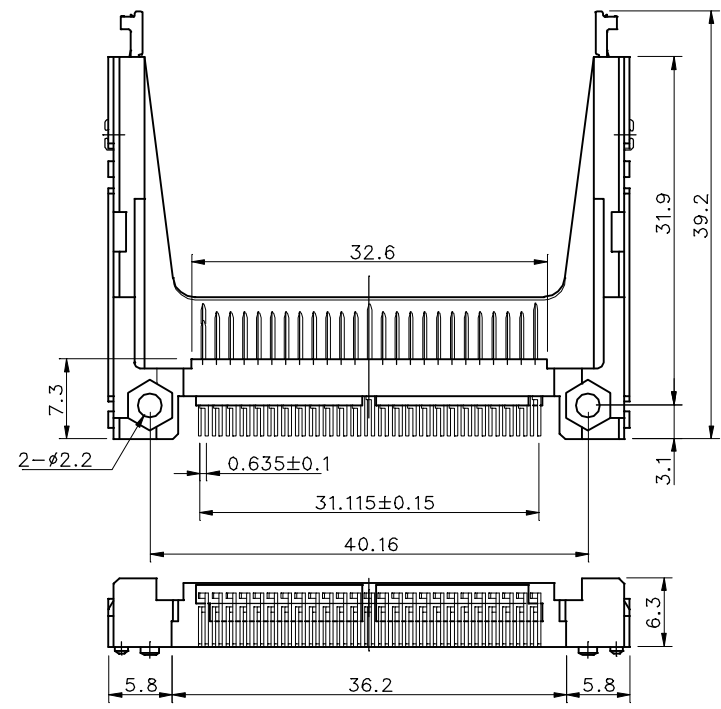
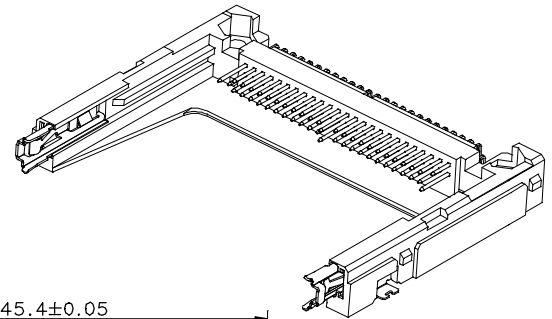


1 2 3 4 5 6 7 8 9 0

J
I
H
G
F
E
D
C
B
A



NOTES:
 MATERIAL
 Insulator:Glass Reinforced LCP UL94V-0
 Contacts:Brass Alloy
 Mount ear:Brass ; Tin plated overall
 CONTACT PLATING
 Contact area: Gold plating over 40u" Nickel
 Solder tail area:100u" tin plating over 40u" Nickel



CFC-PW40CE202-50-LF
 LEADFREE

RoHS Compliant



煜倫股份有限公司

PART NO. CFC-PW40CE202-50		CHECKED BY CY		TOLERANCES ARE		DESCRIP TION: CF CARD HEADER	
DWG NO. CFC-PW40CE202-50		DRAWING BY		X ± 0.2		SMT 50P TYPE II BORS	
FILE NO.		PROJECTION		.XX ±		AREA	
UNIT / mm	SCALE 1:1			.XXX ±		REVISIONS	HK
				AWG		DATE	