

1 2 3 4 5 6 7 8 9 0

J

I

H

G

F

E

D

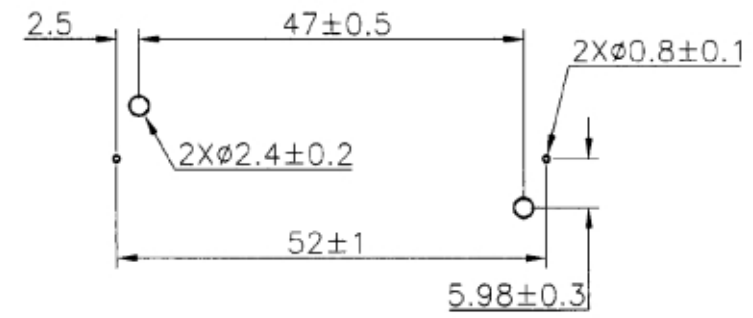
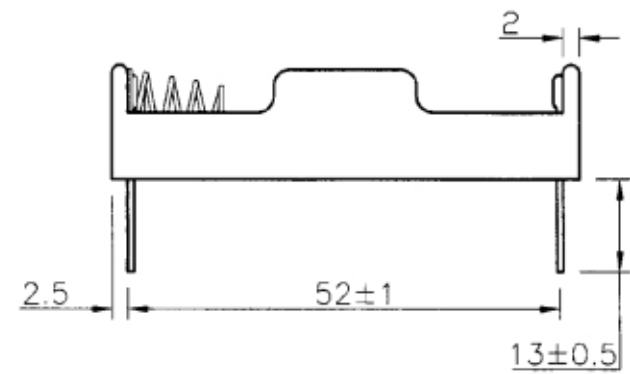
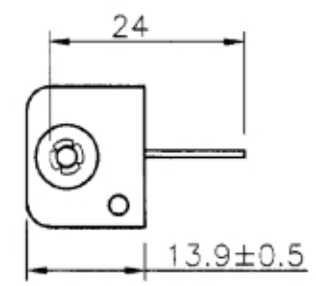
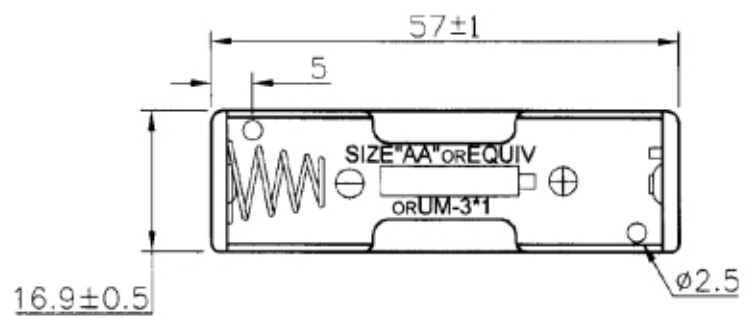
C

B

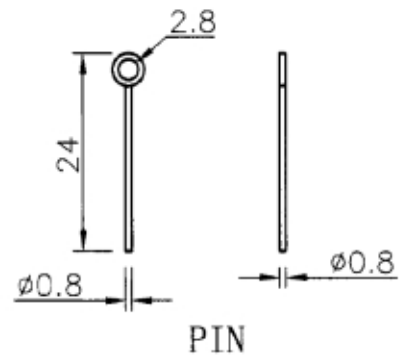
A

SPECIFICATION

- (1) WITH PIN:  $\varnothing 0.8 \times 24 \text{MM}$
- (2) MATERIAL: P.P RESIN BLACK C
- (3) SPRING: 0.6MM 65C SPRING WII



PCB/MOUNTING LAYOUT



BTH-DP-AA-LF  
LEADFREE  
RoHS Compliant



煜倫股份有限公司

PART NO. BTH-DP-AA		CHECKED BY CY	TOLERANCES ARE .X ± 0.2 .XX ± .XXX ± AWG	DESCRIPTION:			
DWG NO. BTH-DP-AA							
FILE NO.		DRAWING BY	AREA REVISIONS HK DATE				
UNIT / mm	SCALE 1:1	PROJECTION					