

Thickness 0.68~0.84 mm
Contact Specification Refer to EMV

1. MATERIAL :

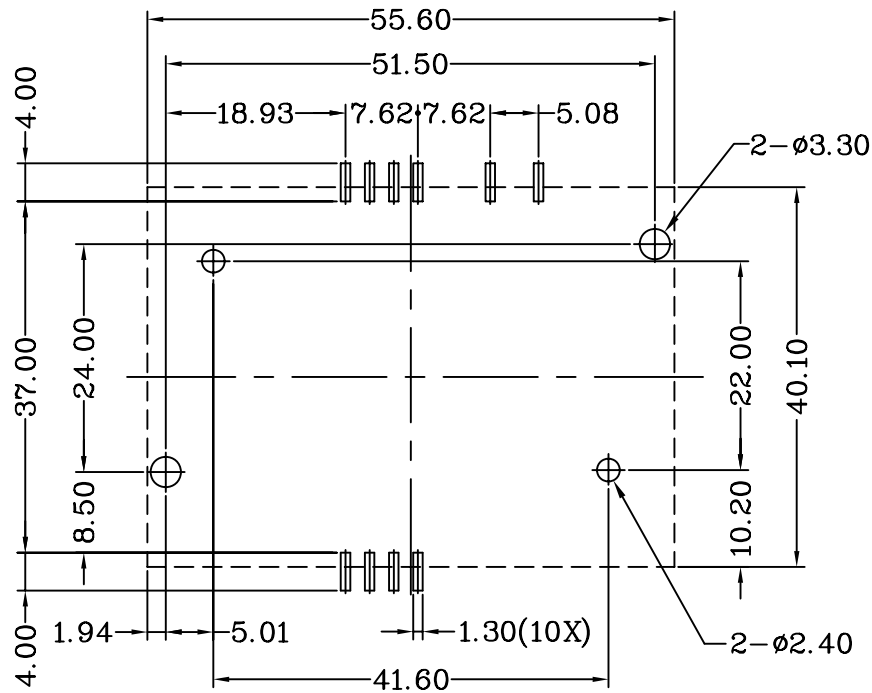
BASE : PA-9T.UL94V-0
COVER : PA-9T.UL94V-0
CLUTCH : PA46.UL94V-0
TERMINAL : COPPER ALLOY

2. SPECIFICATION

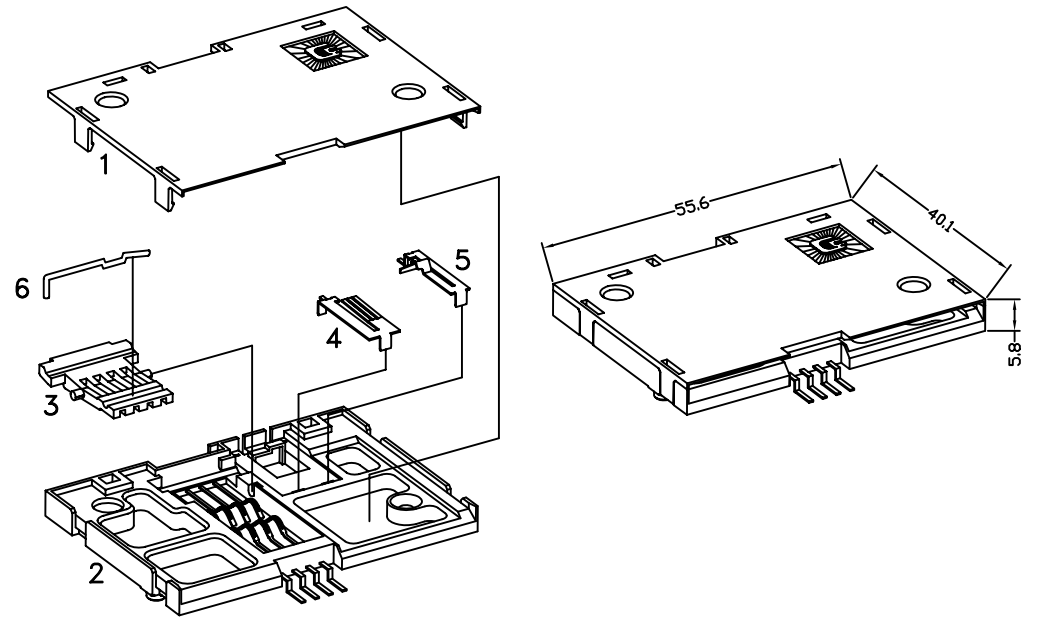
VOLTAGE RATING : 50V DC MAX
CURRENT RATING : 0.5A MAX
OPERATING TEMPERATURE : -20°C ~ +80°C
INSULATION RESISTANCE: 1000 MΩ Min
CONTACT RESISTANCE: 100 mΩ Max

3. SWITCH TYPE : OPEN

4. DURABILITY :



LAYOUT Tolerance±0.05



RoHS Compliant

TOLERANCES ARE

MORETHANALL
PCB CONNECTORS
Cable ASSEMBLIES

DRAWING BY CY

CHECKED BY GENIUS

UNIT / mm

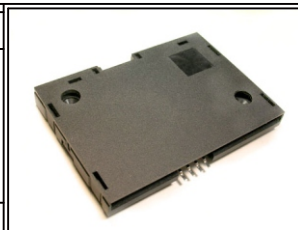
SCALE 1 : 1

DATE

SIZE A4

PJECTION

X, ±
.X ± 0.35
.XX ± 0.20
.XXX ±
ANG ±



ORDER INFORMATION

SCL-W58B-08-LF
SERIES | LEADFREE
| 08 WAY
| SWITCH OPEN
| HIGH 5.8mm
| 90°SMT

DESCRIPTION: Smart Card Connector Landing SMT

煜倫股份有限公司

www.morethanall.com