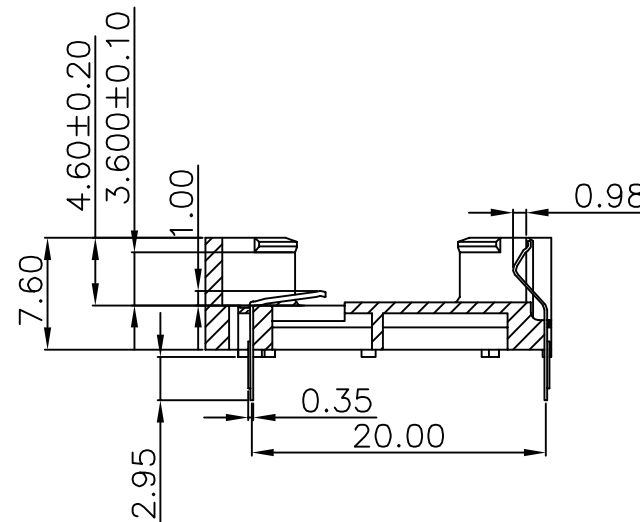
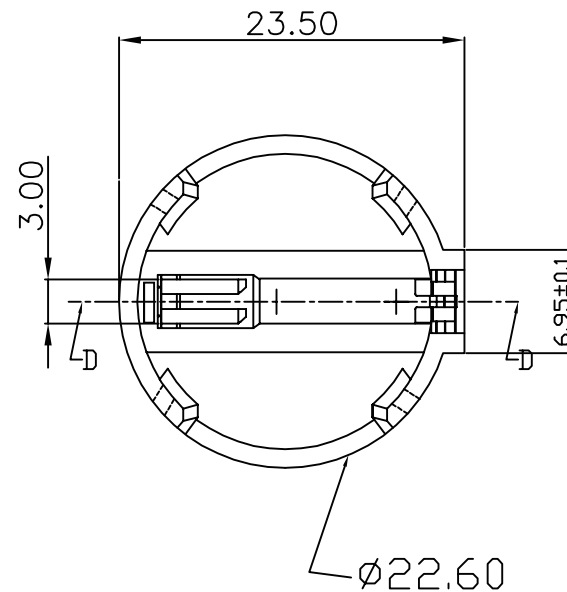


PCB HOLE LAYOUT

HOUSING: NYLON 66+G.F. UL94V-0  
 CONTACT: PHOSPHOR BRONZE  
 FINISH: TIN PLATED OVER NICKEL



SECTION D-D

**MORETHANALL**  
 PCB CONNECTORS  
 Cable ASSEMBLIES

煜倫股份有限公司

www.morethanall.com

RoHS Compliant

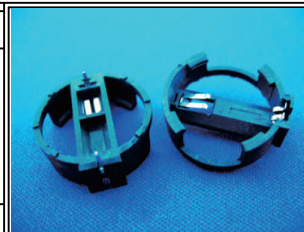
DRAWING BY CY  
 CHECKED BY GENIUS  
 UNIT / mm SCALE 1:1  
 DATE

TOLERANCES ARE

X. ±  
 .X ±  
 .XX ±  
 .XXX ±  
 ANG ±

SIZE A4

PPOJECTION



ORDER INFORMATION

BTH-D76-20-LF  
 SERIES  
 LEADFREE  
 FOR CR2032  
 HIGH 7.6mm  
 DIP 180°

DESCRIPTION: