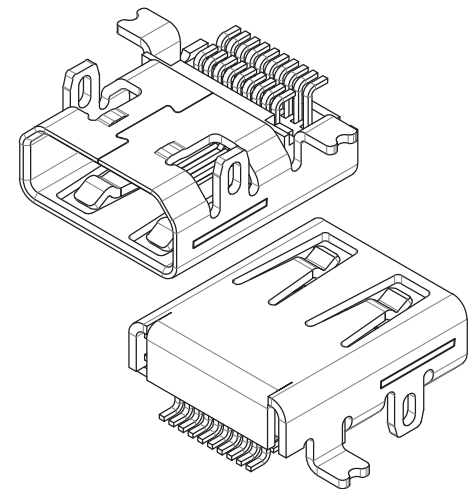
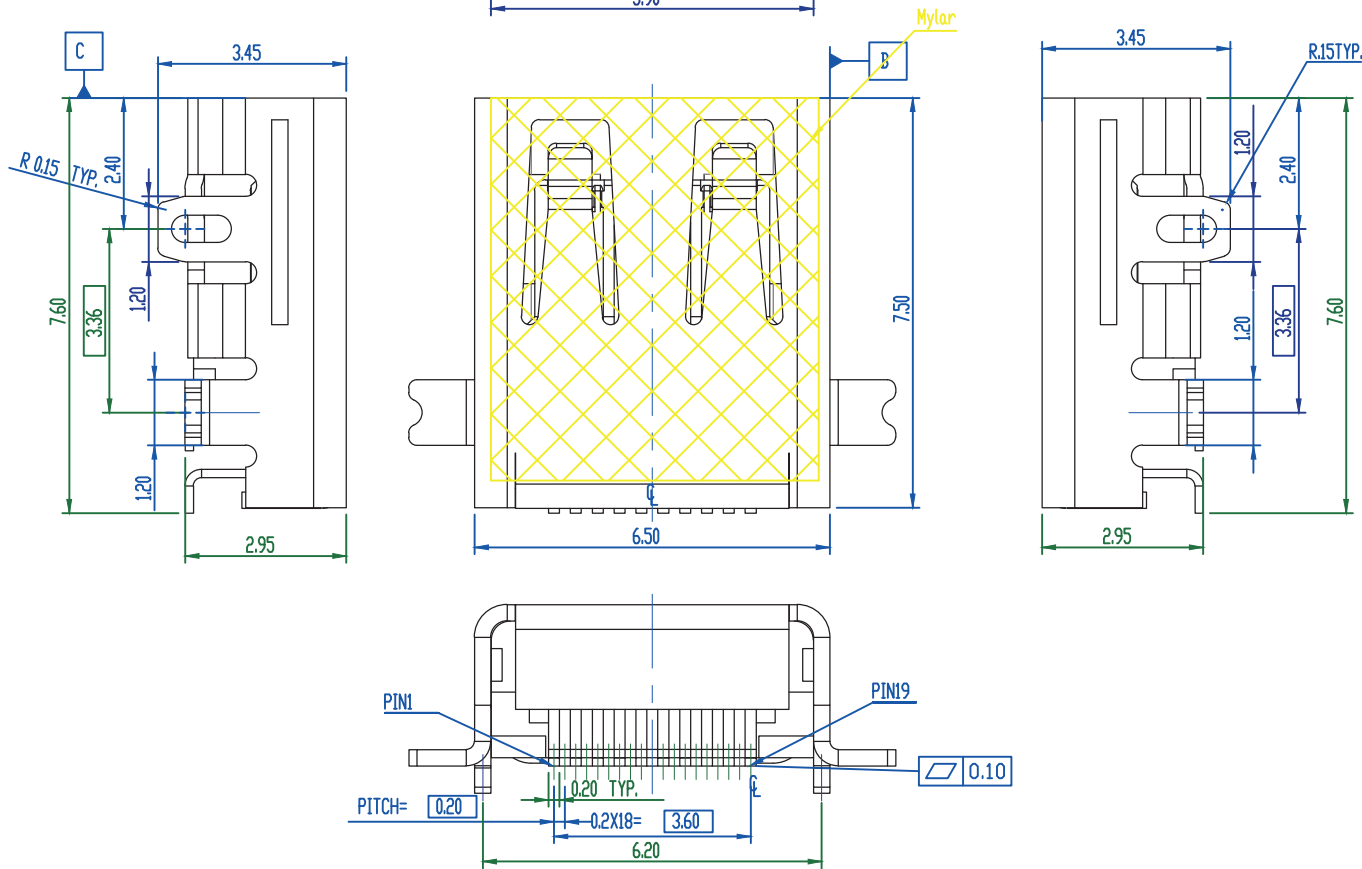


NOTES :  
 1. Material :  
 Housing : High temperature thermoplastic, UL94-V0.  
 Color : White  
 Terminal : Copper Alloy.  
 Shield : Copper Alloy.  
 2. Shield:  
 50 U" MIN. NICKEL PLATING OVER ALL.



RoHS Compliant

TOLERANCES ARE

**MORETHANALL**  
 PCB CONNECTORS  
 Cable ASSEMBLIES

煜倫股份有限公司

www.morethanall.com

DRAWING BY CY

CHECKED BY GENIUS

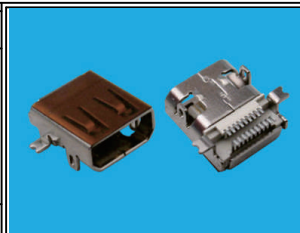
UNIT / mm SCALE 1 : 1

DATE

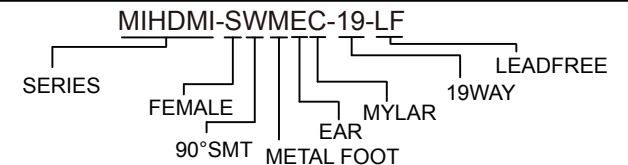
SIZE A4

X. ± 0.40  
 X ± 0.30  
 .XX ± 0.20  
 .XXX ± 0.10  
 ANG ±

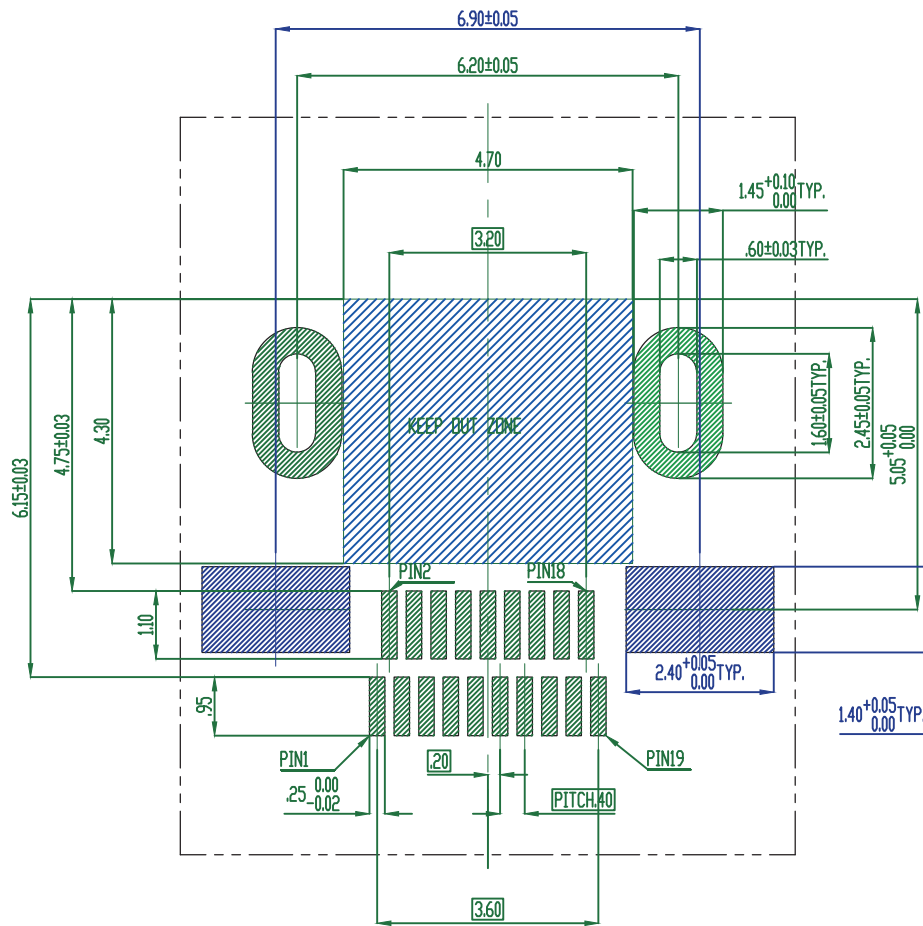
P PROJECTION



ORDER INFORMATION



DESCRIPTION:



HDMI Each Signal Terminal Will Be Functional After Detected.

Pin NO.	Description
19	5V Power
18	SDA
17	SCL
16	DDC/CEC Ground
15	CEC
14	TMDS Clock-
13	TMDS Clock Shield
12	TMDS Clock+
11	TMDS Data0-
10	TMDS Data0 Shield
09	TMDS Data0+
08	TMDS Data1-
07	TMDS Data1 Shield
06	TMDS Data1+
05	TMDS Data2-
04	TMDS Data2 Shield
03	TMDS Data2+
02	Utility
01	Hot Plug Detect
Pin NO.	Description

Pin Assignment

Recommend PCB Layout Tolerance = +/- 0.02 mm



RoHS Compliant

TOLERANCES ARE

**MORETHANALL**  
PCB CONNECTORS  
Cable ASSEMBLIES

煜倫股份有限公司

www.morethanall.com

DRAWING BY CY

CHECKED BY GENIUS

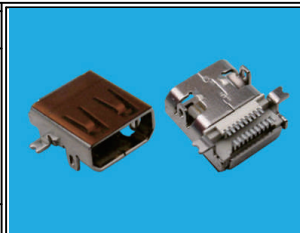
UNIT/mm SCALE 1:1

DATE

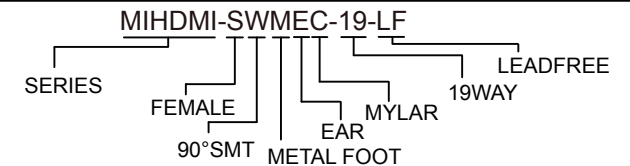
SIZE A4

X, ±  
.X ±  
.XX ±  
.XXX ±  
ANG ±

PJECTION



ORDER INFORMATION



DESCRIPTION: