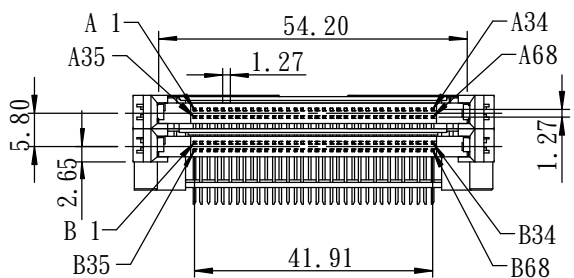


PART NO.	DIM. A ±0.20
PCCB1-PRL50V3-68	5.00

PCCB1-PRL50V3-68-LF  
LEADFREE  
RoHS Compliant



PIN TYPE	DIM. L ±0.20	PIN NUMBER
DETECT	3.50 mm	A36, A67, B36, B67
GENERAL	4.25 mm	THE REST
POWER	5.00 mm	A1, A17, A34, A35, A51, A68 B1, B17, B34, B35, B51, B68

NOTE:  
1. INSPECTION SYMBOL:  
● : MANUFACTURER INSPECTION  
◆ : Q.C INSPECTION  
2. PLEASE REFER TO TABLE 1 FOR TERMINAL LENGTH. TABLE 1

**MORETHANALL**  
CONNECTORS  
ASSEMBLIES

PART NO. PCCB1-PRL50V3-68

DWG NO. PCCB1-PRL50V3-68

CHECKED BY CY

TOLERANCES ARE

DESCRIP TION:

FILE NO.

DRAWING BY

.X ± 0.2  
.XX ±  
.XXX ±  
AWG

煜倫股份有限公司

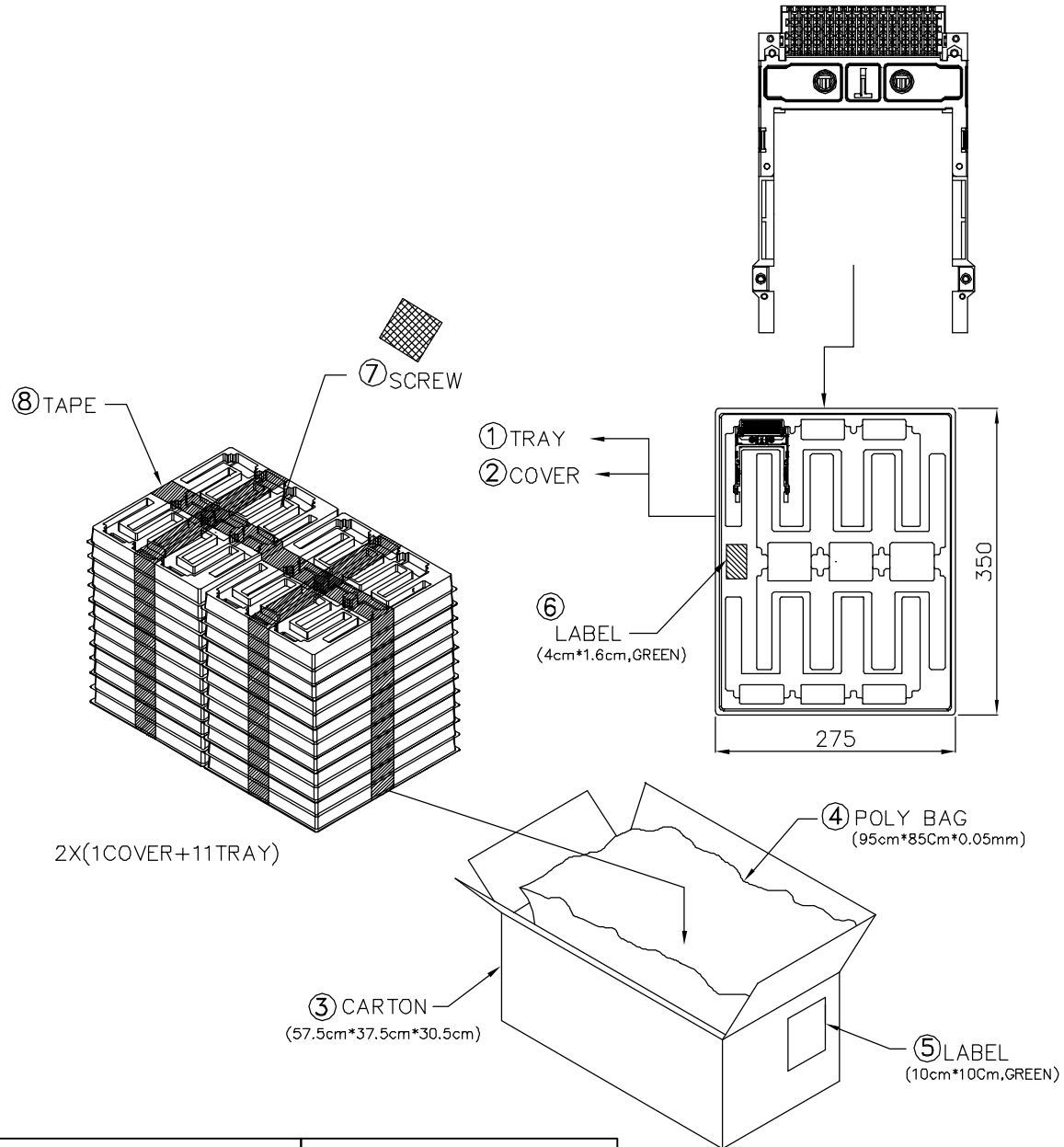
UNIT / mm

SCALE 1:1

PROJECTION

AREA	REVISIONS	HK	DATE
------	-----------	----	------

	MATERIAL	P/N	REMARKS
1	TRAY	TRAY 007-005B	22 TRAY X 12 PCS
2	COVER	TRAY 007-005B	2X(1COVER+11TRAY)
3	CARTON	CTN-C100A	CARTON/22 TRAYS/264PCS
4	POLY BAG	P-0001	1 POLY BAG/CARTON
5	LABEL(for RoHS)	CTP-00002	1 LABEL/CARTON
6	LABEL(for RoHS)	CTB-00002	1 LABEL/TRAY
7	SCREW	000-FA2I180C	PACKAGE/4X264PCS/1056PCS
8	TAPE		



**MORETHANALL**  
CONNECTORS  
ASSEMBLIES

煜倫股份有限公司

PART NO. PCCB1-PRL50V3-68

DWG NO. PCCB1-PRL50V3-68

FILE NO.

UNIT / mm

SCALE 1:1

CHECKED BY CY

DRAWING BY

PROJECTION

TOLERANCES ARE  
.X ±  
.XX ±  
.XXX ±  
AWG

DESCRIP TION:					
AREA	REVISIONS	HK	DATE		