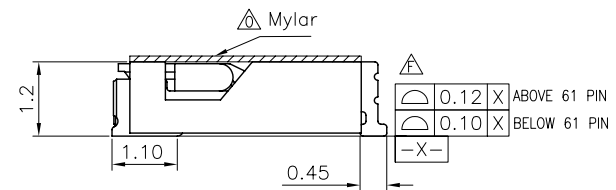


NOTES:

1. MATERIAL:
 - 1.1 HOUSING: THERMOPLASTIC, HIGH TEMP., UL94V-0; COLOR:NATURAL.
 - 1.2 ACTUATOR: THERMOPLASTIC, HIGH TEMP., UL94V-0; COLOR:BLACK.
 - 1.3 CONTACT: COPPER ALLOY
 - 1.4 FITTING NAIL: COPPER ALLOY
2. FINISH:
 - 2.1 CONTACT: UNDERPLATING: 50u" MIN. NICKEL OVERALL. FINISH:SEE ORDER INFORMATION.
 - 2.2 FITTING NAIL: UNDERPLATING: 50u" MIN. NICKEL OVERALL. FINISH:SEE ORDER INFORMATION.
3. REFLOW SOLDER CAPABLE TO 260°C PER ACES SPEC.

FPT-WHB-xx-LF
LEADFREE
RoHS Compliant



△	CKT	Dim A	Dim B	Dim C	Dim D	Dim E
	11	5.60	2.40	3.00	3.63	3.60
	15	6.80	3.60	4.20	4.83	4.80
	17	7.40	4.20	4.80	5.43	5.40
	21	8.60	5.40	6.00	6.63	6.60
	23	9.20	6.00	6.60	7.23	7.20
	25	9.80	6.60	7.20	7.83	7.80
	31	11.60	8.40	9.00	9.63	9.60
	33	12.20	9.00	9.60	10.23	10.20
	39	14.00	10.80	11.40	12.03	12.00
	41	14.60	11.40	12.00	12.63	12.60
	51	17.60	14.40	15.00	15.63	15.60
	61	20.60	17.40	18.00	18.63	18.60
	71	23.60	20.40	21.00	21.63	21.60

MORETHANALL
CONNECTORS
ASSEMBLIES

煜倫股份有限公司

PART NO. FPT-WHB-xx

DWG NO. FPT-WHB-xx

FILE NO.

UNIT / mm

SCALE 1:1

CHECKED BY CY

DRAWING BY

PROJECTION

TOLERANCES ARE

.X ± 0.2
.XX ± 0.1
.XXX ±
AWG

DESCRIPTION:

0.3 FPC CONN. ZIF EASY ON ASS'Y (H=1.2)

AREA

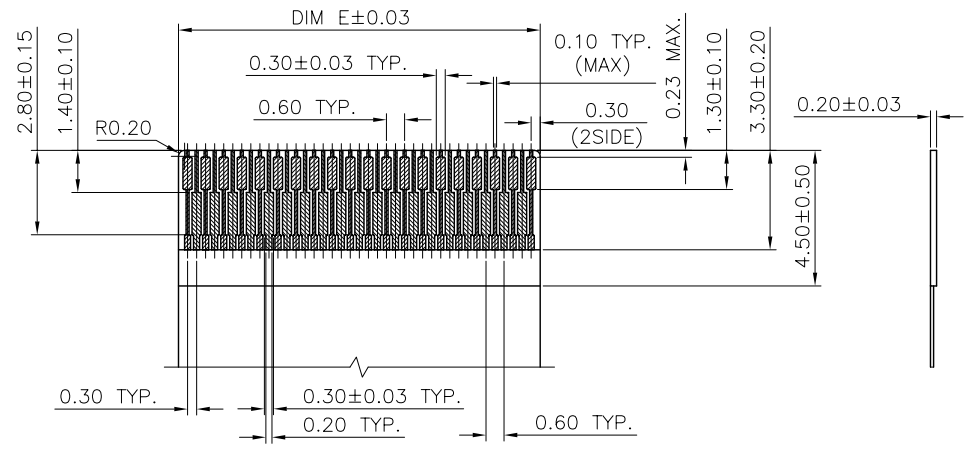
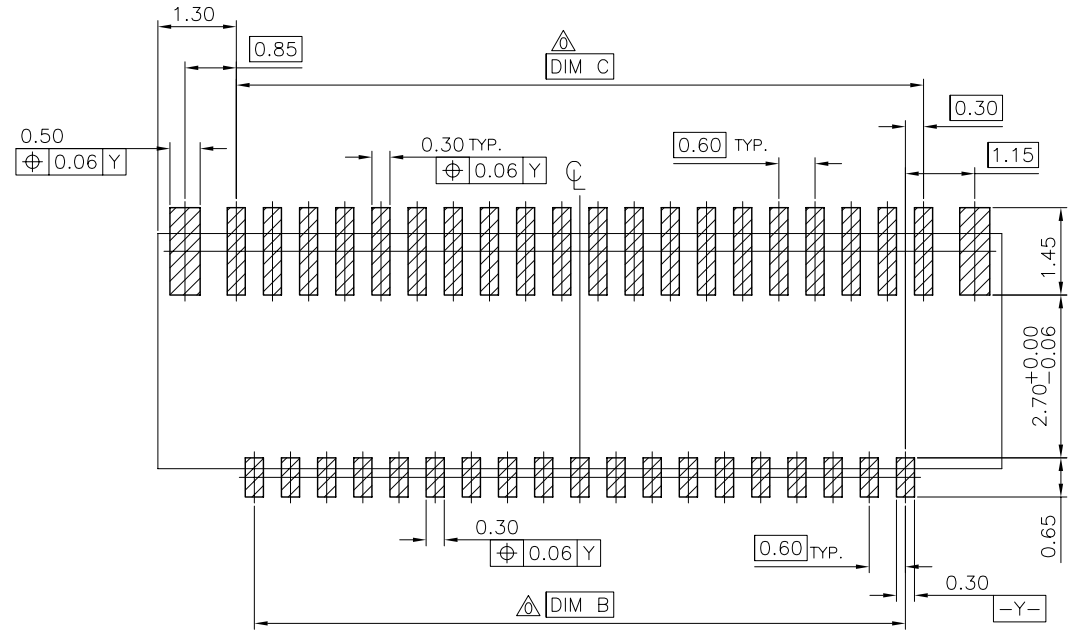
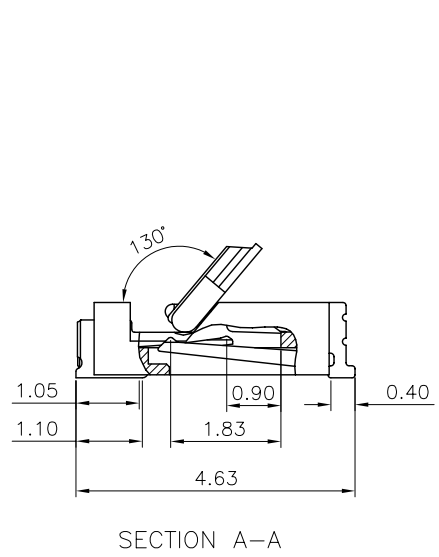
REVISIONS

HK

DATE

1 2 3 4 5 6 7 8 9 0

J
I
H
G
F
E
D
C
B
A



MORETHANALL
CONNECTORS
ASSEMBLIES

煜倫股份有限公司

PART NO. FPT-WHB-xx
DWG NO. FPT-WHB-xx
FILE NO.
UNIT / mm SCALE 1:1

CHECKED BY CY
DRAWING BY
PROJECTION

TOLERANCES ARE
.X ± 0.2
.XX ± 0.1
.XXX ±
AWG

DESCRIP TION:		0.3 FPC CONN. ZIF EASY ON ASS'Y (H=1.2)		
AREA	REVISIONS	HK	DATE	

1 2 3 4 5 6 7 8 9 0

J

I

H

G

F

E

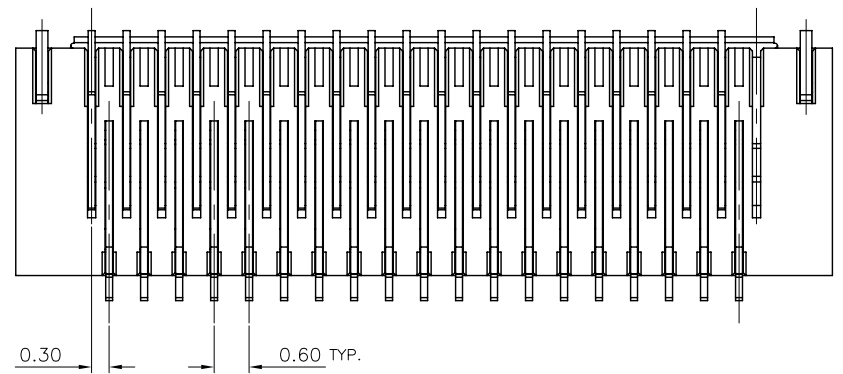
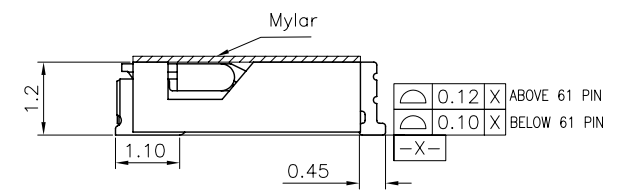
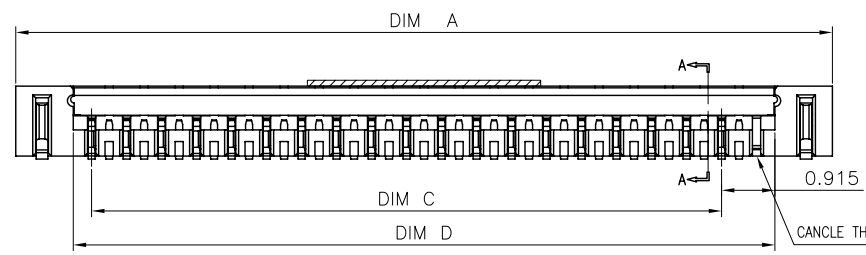
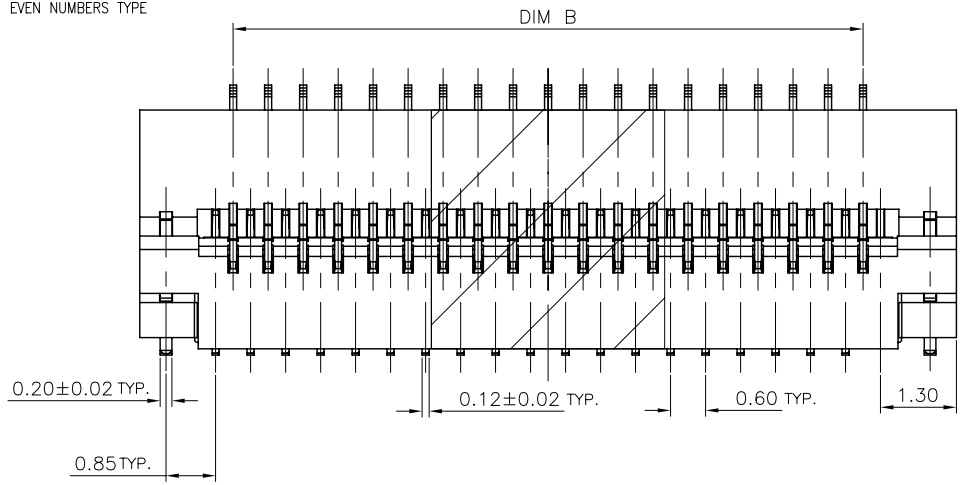
D

C

B

A

EVEN NUMBERS TYPE



CKT	Dim A	Dim B	Dim C	Dim D	Dim E
60	20.60	17.40	17.40	18.63	18.60

MORETHANALL
CONNECTORS
ASSEMBLIES

PART NO. FPT-WHB-xx

DWG NO. FPT-WHB-xx

FILE NO.

UNIT / mm

SCALE 1:1

CHECKED BY CY

DRAWING BY

PROJECTION

TOLERANCES ARE

.X ± 0.2
.XX ± 0.1
.XXX ±
AWG

DESCRIP TION:				
	AREA	REVISIONS	HK	DATE

焯倫股份有限公司