

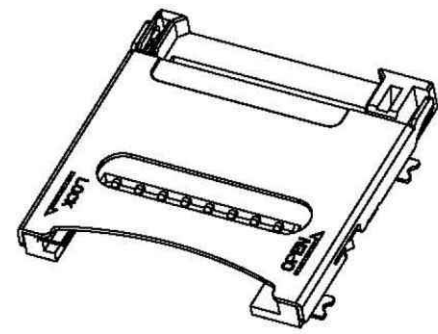
NOTES:

MATERIAL:
 Housing: High Temperature Thermoplastic, UL 94V-0
 Contacts: Phosphor bronze
 Shell: Stainless Steel

PLATING:
 Contacts: Plated 50 μ " Ni Overall
 Plated Au Selective Contact Area
 Plated 100 μ " Sn Over Ni On Solder Area

Electrical:
 Current Rating: 0.5A max.
 Contact Resistance: 100m Ω max
 Insulation Resistance: 1000M Ω min./500VDC
 Dielectric Withstanding Voltage: 500VAC/minute
 Operating Temperature: -25°C TO +85°C
 Mating Cycles: 10,000 times

Usable Memory Card:
 Micro SD Card



TFC-WHC-08-LF
 LEADFREE
 RoHS Compliant

	PART NO. TFC-WHC-08		TOLERANCES ARE .X \pm 0.2 .XX \pm .XXX \pm AWG	DESCRIPTION:				
	DWG NO. TFC-WHC-08							CHECKED BY CY
焯倫股份有限公司	FILE NO.		DRAWING BY		AREA	REVISIONS	HK	DATE
	UNIT / mm	SCALE 1:1	PROJECTION					