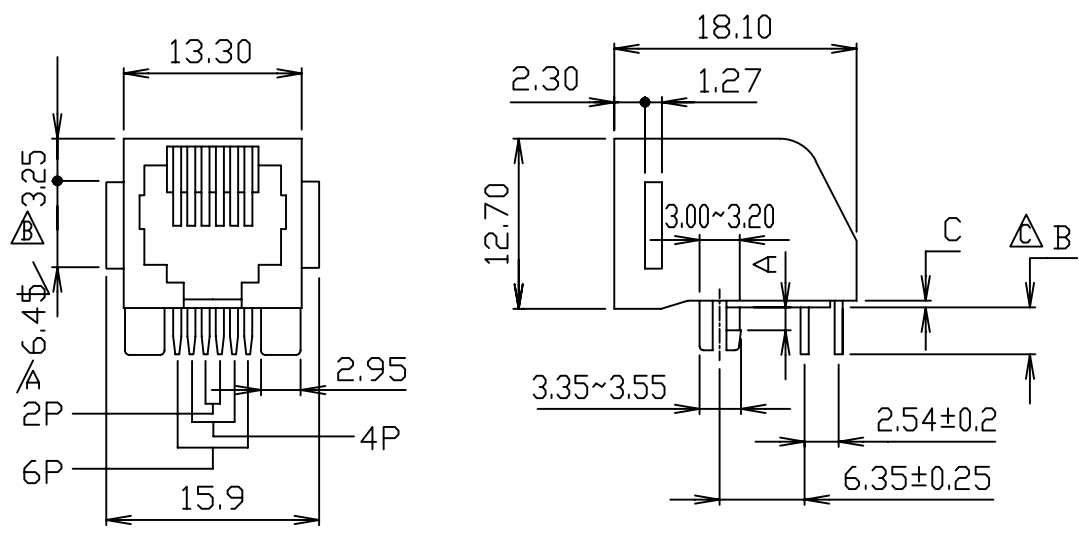
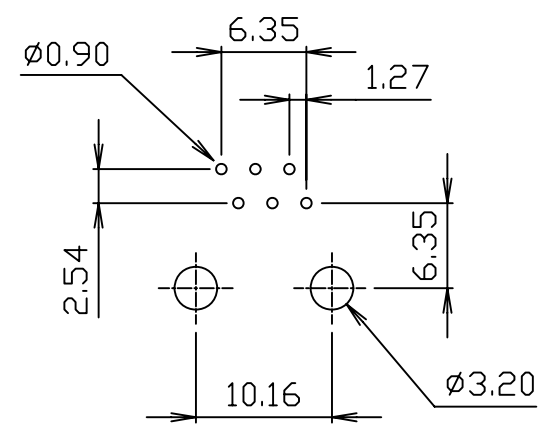
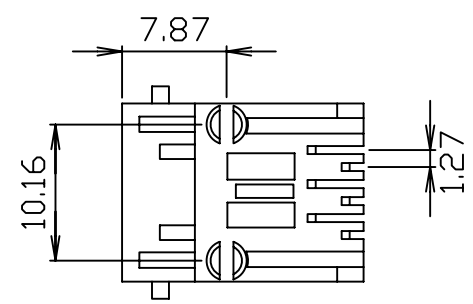


MATERIAL: HOUSING-PBT POLYESTER UL-94V-0
 MIXED GLASS FIBER.
 STANDARD COLOR-BLACK
 CONTACTS-0.35mm THICK PHOS-BRONZE
 PLATED WITH HARD GOLD AND
 TIN IN SOLDER AREA.
 CAVITY CONFIRMS TO FCC RULES AND REGULATIONS
 PART 68,SUBPART F.



MJ12J-KE06-06xx-LF
 LEADFREE
 06:06CIRCUIT
 04:04CIRCUIT
 02:02CIRCUIT



PC Board Layout

RoHS Compliant



PART NO. MJ12J-KE06-06xx		CHECKED BY CY		TOLERANCES ARE		DESCRIPTION: 6 POSITION FLANGED LOW PROFILE SIDE ENTRY PCB JACK	
DWG NO. MJ12J-KE06-06xx		DRAWING BY		.X ± 0.25 .XX ± 0.13 .XXX ± 0.05 AWG		AREA	
FILE NO.		PROJECTION		UNIT / mm		REVISIONS	
SCALE 1:1		HK		DATE		DATE	

煜倫股份有限公司