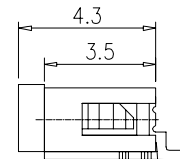
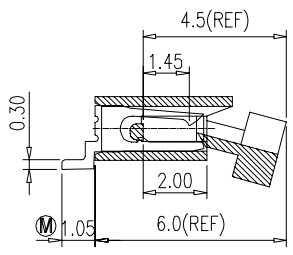


- NOTE
- 1.HOUSING: PA46(TS250 F8). COLOR: WHITE.
 - 2.ACTUATOR: PPS(1140A6). COLOR: BLACK.
 - 3.CONTACT: PHOSPHOR BRONZE. PLATING: ALL TIN,LEAD FREE.
 - 4.HOLDDOWN: BRASS. PLATING: ALL TIN,LEAD FREE.
 5. M IS MAJOR DIMENSION FOR IQC.

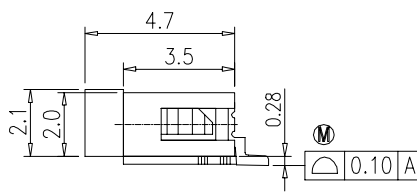
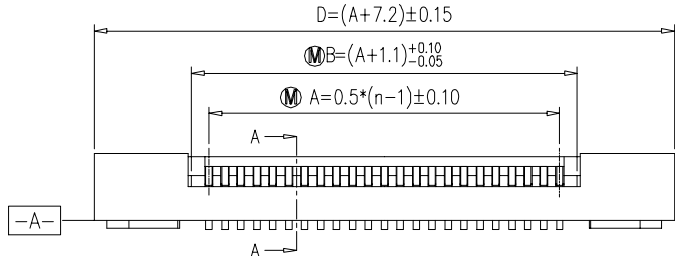


NO. OF CONTACTS
3 PIN~30 PIN

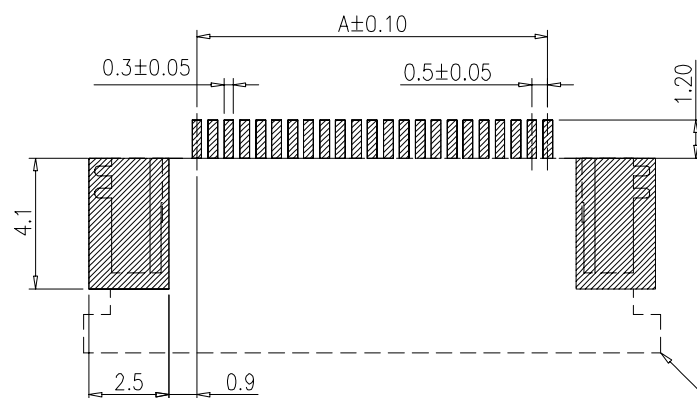
FPV-WZAR-xx-LF
LEADFREE
RoHS Compliant



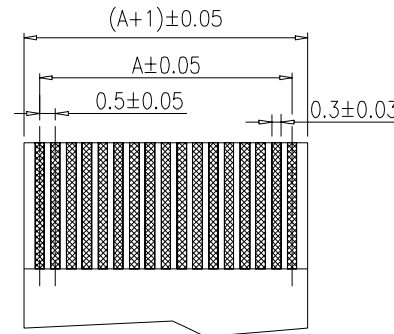
SECTION A-A



NO. OF CONTACTS
31 PIN~61 PIN



RECOMMENDED PCB LAYOUT



FFC/FPC DIMENSION
THICKNESS 0.30 mm

MORETHANALL
CONNECTORS
ASSEMBLIES

PART NO. FPV-WZAR-xx

DWG NO. FPV-WZAR-xx

FILE NO. FZ123-XX2XX

CHECKED BY CY

DRAWING BY

TOLERANCES ARE

- .X ± 0.2
- .XX ±
- .XXX ±
- AWG

DESCRIP TION:

FPC/FFC 0.5 PITCH CONNECTOR , ZIF SMT TYPE
BODY HIGH 2.0 mm

焯倫股份有限公司

UNIT / mm

SCALE 1:1

PROJECTION

AREA

REVISIONS

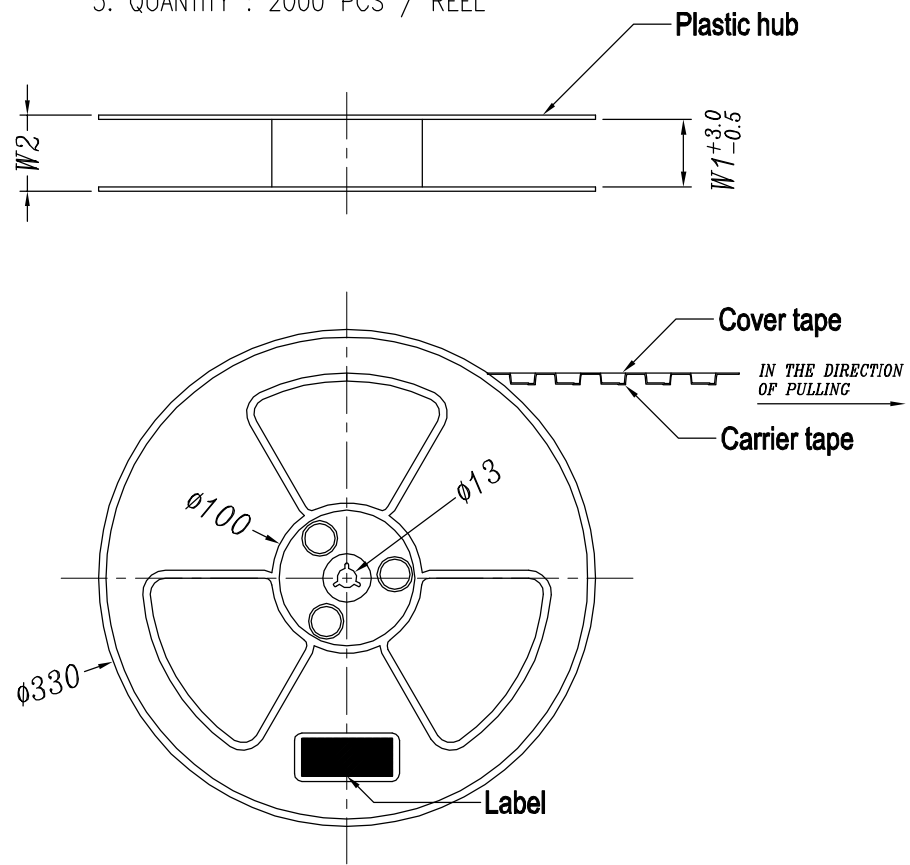
HK

DATE

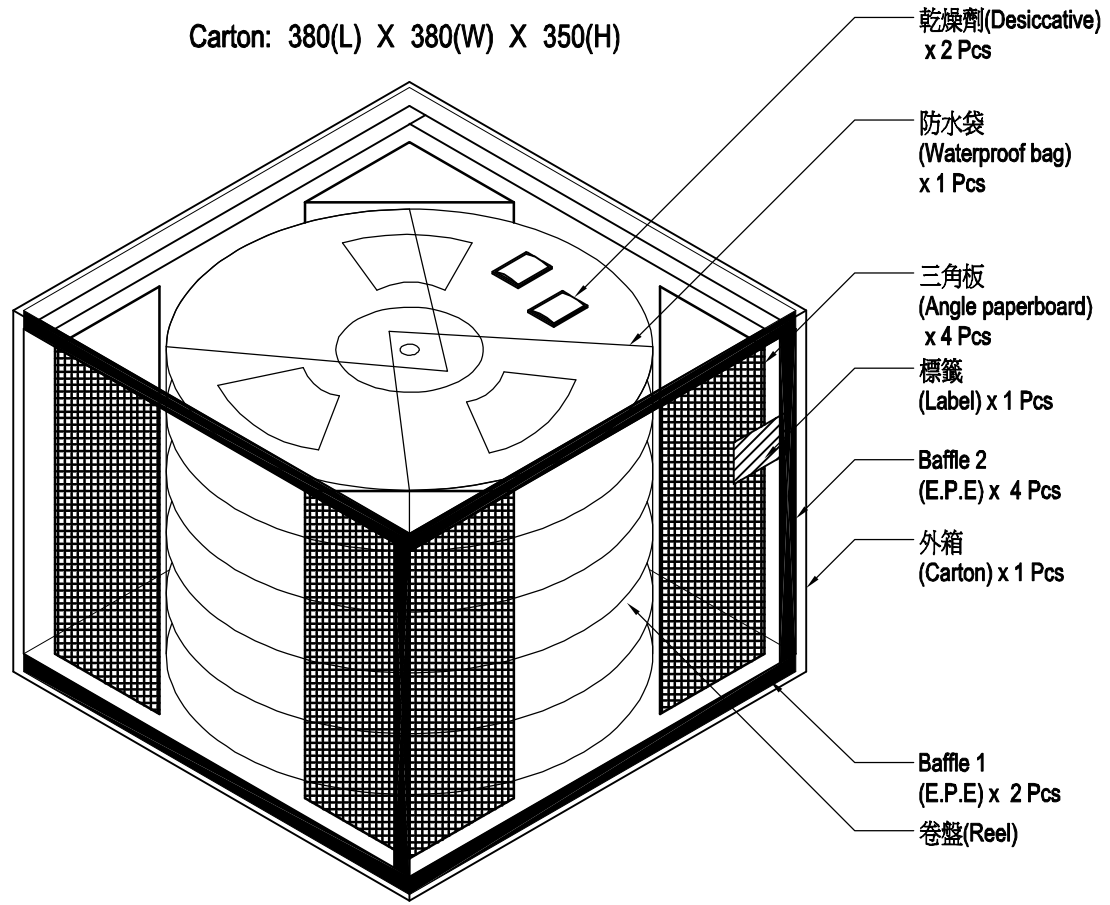
| NO. OF CONTACTS | DIMENSION | | | | PACKING | |
|-----------------|-----------|------|------|------|-------------|---------------|
| | F | W1 | W2 | W3 | REEL/CARTON | QUANTITY(PCS) |
| 3~20 | 11.5 | 24.5 | 30.5 | 24.0 | 10 | 20000 |
| 21~28 | 28.4 | 32.5 | 38.5 | 32.0 | 8 | 16000 |
| 29~52 | 40.4 | 44.5 | 50.5 | 44.0 | 6 | 12000 |
| 53~61 | 52.6 | 56.5 | 62.5 | 56.0 | 5 | 10000 |

NOTE

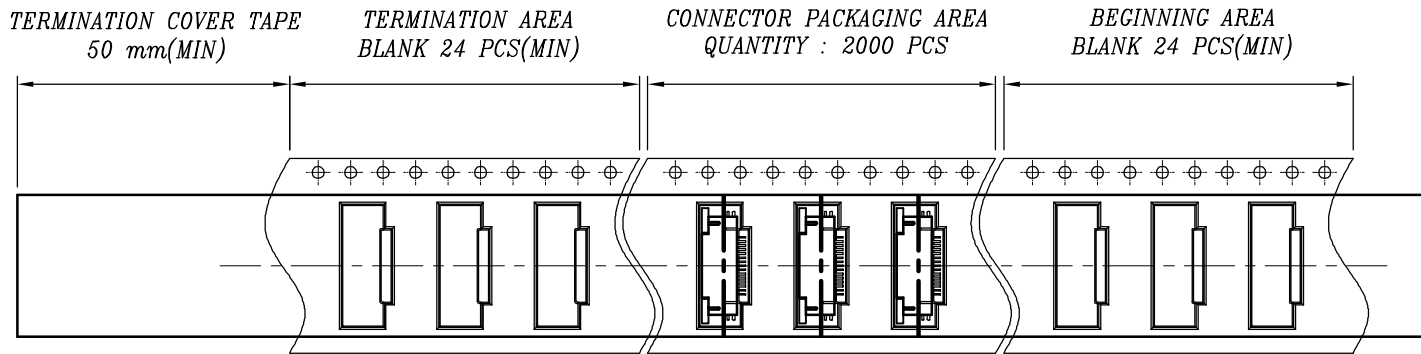
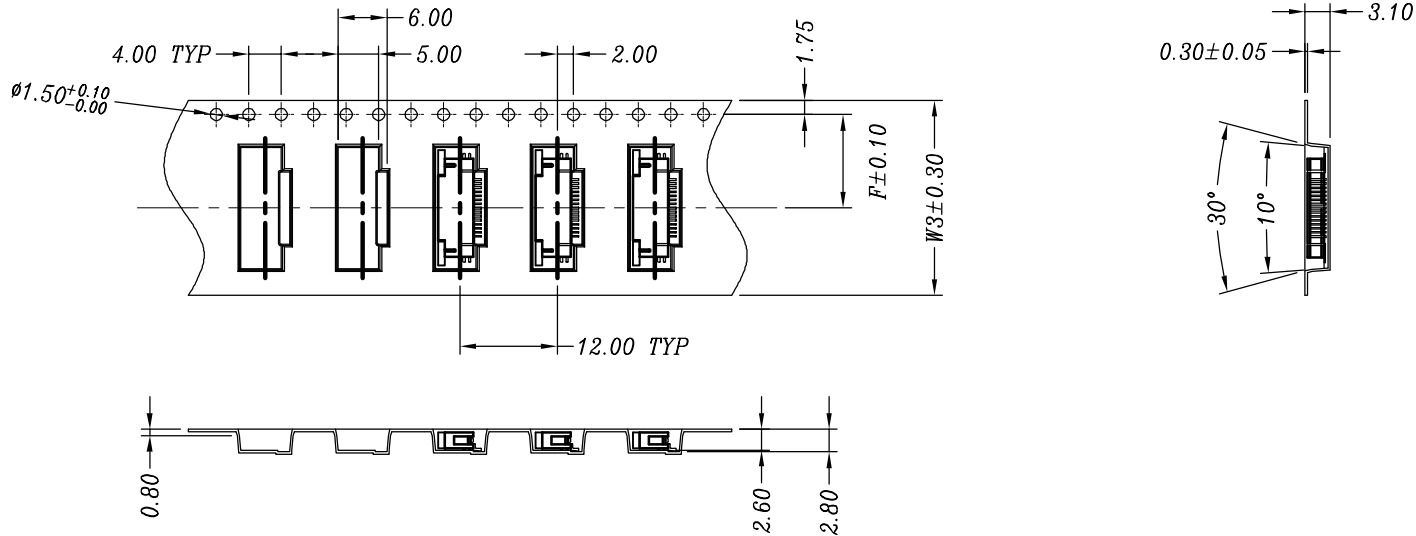
1. REEL MATERIAL : PS
2. CARRIER MATERIAL : PS
3. COVER TAPE MATERIAL : PS
4. COVER TAPE REEL STRENGTH : 13"
5. QUANTITY : 2000 PCS / REEL



Carton: 380(L) X 380(W) X 350(H)



| | | | | |
|----------|----------------------|-----------|--|---|
| | PART NO. FPV-WZAR-xx | | TOLERANCES ARE .X ± .XX ± .XXX ± AWG | DESCRIPTION: FPC/FFC 0.5 PITCH ZIF SMT TYPE BODY HIGH: 2.0 mm REEL PACKING |
| | DWG NO. FPV-WZAR-xx | | | |
| 焜倫股份有限公司 | FILE NO. | | DRAWING BY | AREA REVISIONS HK DATE |
| | UNIT / mm | SCALE 1:1 | PROJECTION | |



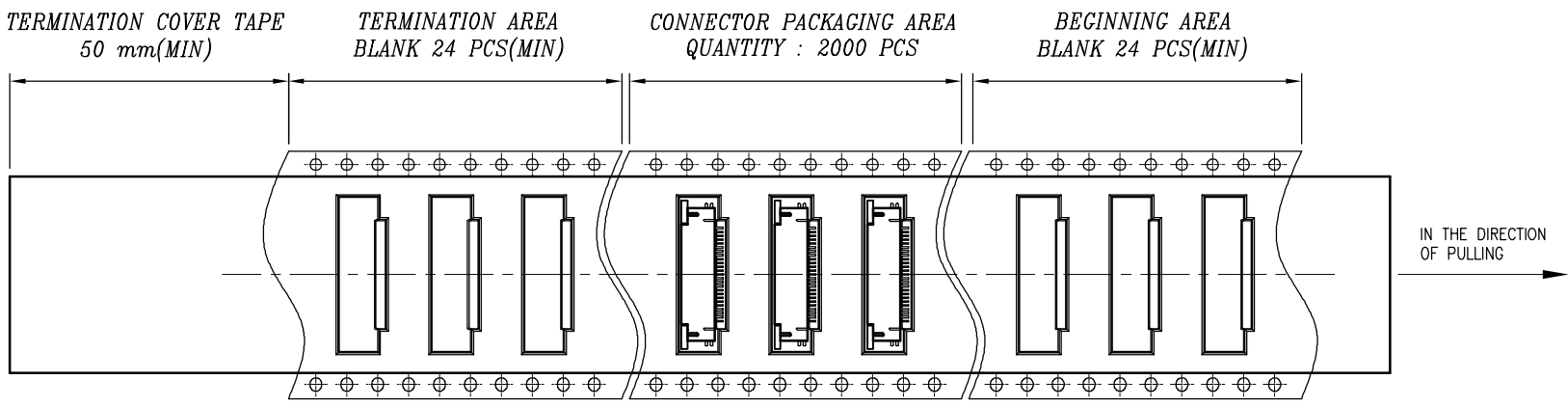
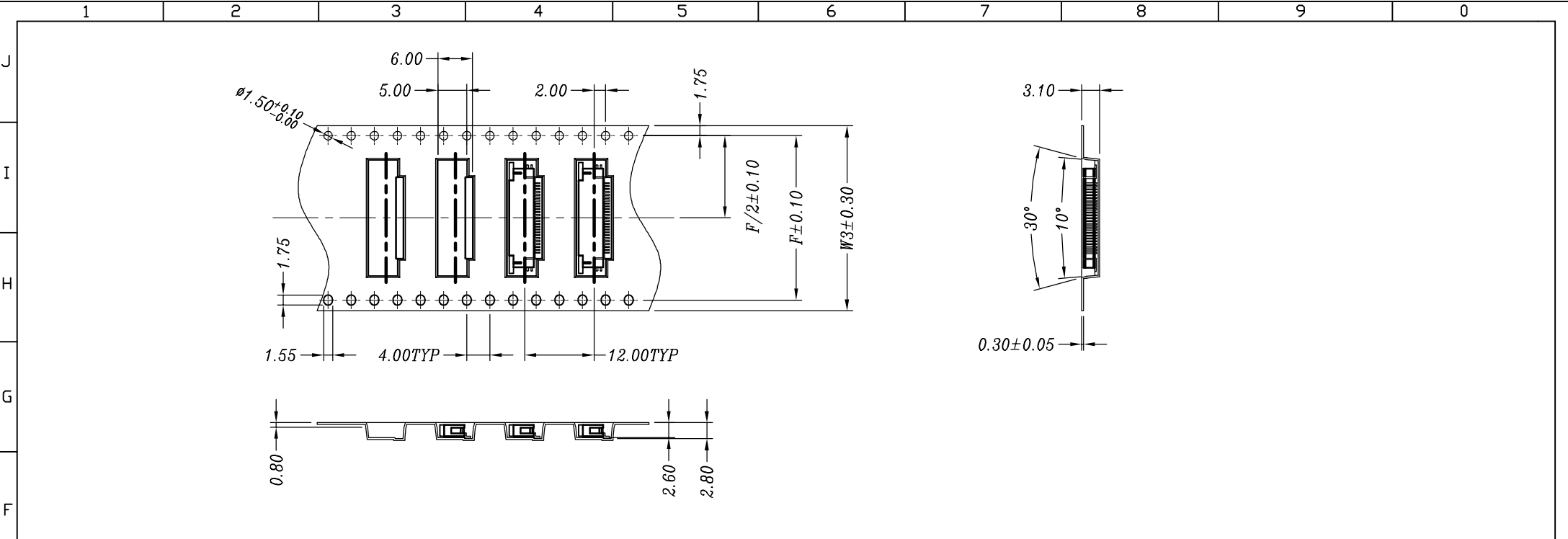
WIDTH : 24 mm Carrier

SIDE ENTRY



| | | | | |
|----------------------|-----------|---------------|--|--|
| PART NO. FPV-WZAR-xx | | CHECKED BY CY | TOLERANCES ARE .X ± .XX ± .XXX ± AWG | DESCRIP TION: FPC/FFC 0.5 PITCH ZIF SMT TYPE BODY HIGH: 2.0 mm REEL PACKING |
| DWG NO. FPV-WZAR-xx | | | | |
| FILE NO. | | DRAWING BY | AREA | REVISIONS |
| UNIT / mm | SCALE 1:1 | PROJECTION | | |

煜倫股份有限公司



WIDTH : 32 , 44 , 56 Carrier

SIDE ENTRY



| | | | | |
|----------------------|-----------|---------------|---|---|
| PART NO. FPV-WZAR-xx | | CHECKED BY CY | TOLERANCES ARE .X± .XX± .XXX± AWG | DESCRIP TION: FPC/FFC 0.5 PITCH ZIF SMT TYPE BODY HIGH: 2.0 mm REEL PACKING |
| DWG NO. FPV-WZAR-xx | | | | |
| FILE NO. | | DRAWING BY | AREA | REVISIONS |
| UNIT / mm | SCALE 1:1 | PROJECTION | | |

煜倫股份有限公司