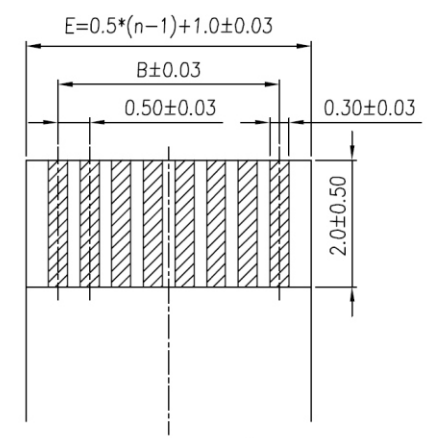
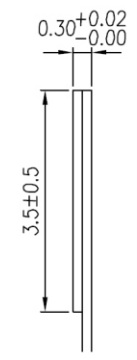
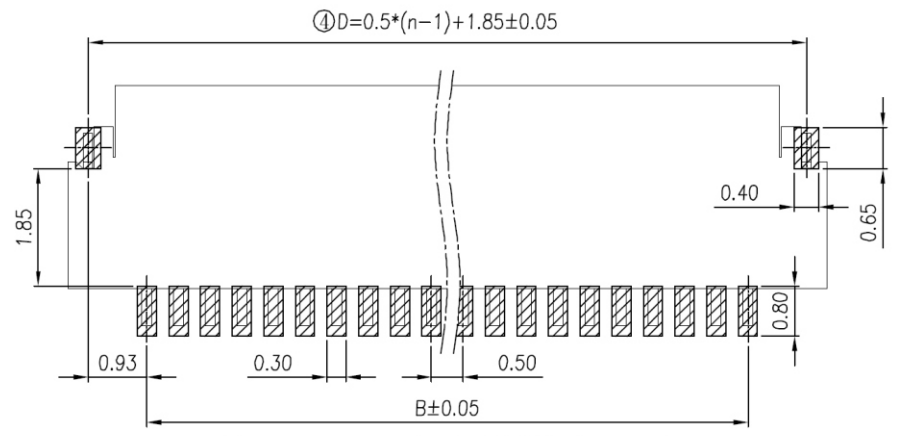
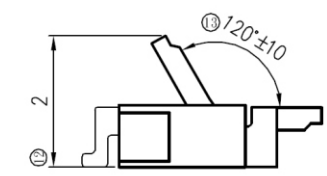
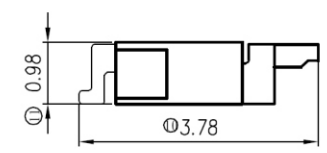
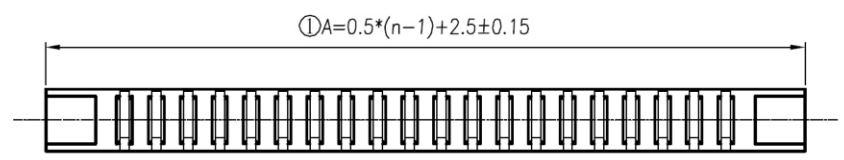


**MATERIALS:**  
 HOUSING:LCP, NATURAL  
 COVER:PPS, BLACK  
 CONTACT:PHOSPHOR BRONZE  
 HOLDDOWN:PHOSPHOR BRONZE

FPV-WHB09G-xx-LF  
 LEADFREE  
 RoHS Compliant



**Recommended PCB layout  
 component side**

**Applicable FPC/FFC  
 recommended dimension**



PART NO. FPV-WHB09G-xx

DWG NO. FPV-WHB09G-xx

FILE NO.

UNIT / mm

CHECKED BY CY

DRAWING BY

SCALE 1:1

PROJECTION

TOLERANCES ARE

.X ± 0.2  
 .XX ± 0.1  
 .XXX ±  
 AWG

DESCRIP TION: FPC 0.5mm ZIF SMT TYPE BODY HIGH 0.9mm

AREA	REVISIONS	HK	DATE
------	-----------	----	------

煜倫股份有限公司

J  
I  
H  
G  
F  
E  
D  
C  
B  
A

PIN	A	B	C	D	E	F
* 04P	4.00	1.50	2.5	3.35	2.5	2.60
05P	4.50	2.00	3.0	3.85	3.0	3.10
* 06P	5.00	2.50	3.5	4.35	3.5	3.60
07P	5.50	3.00	4.0	4.85	4.0	4.10
08P	6.00	3.50	4.5	5.35	4.5	4.60
* 09P	6.50	4.00	5.0	5.85	5.0	5.10
* 10P	7.00	4.50	5.5	6.35	5.5	5.60
11P	7.50	5.00	6.0	6.85	6.0	6.10
* 12P	8.00	5.50	6.5	7.35	6.5	6.60
13P	8.50	6.00	7.0	7.85	7.0	7.10
14P	9.00	6.50	7.5	8.35	7.5	7.60
* 15P	9.50	7.00	8.0	8.85	8.0	8.10
* 16P	10.00	7.50	8.5	9.35	8.5	8.60
17P	10.50	8.00	9.0	9.85	9.0	9.10
* 18P	11.00	8.50	9.5	10.35	9.5	9.60
19P	11.50	9.00	10.0	10.85	10.0	10.10
* 20P	12.00	9.50	10.5	11.35	10.5	10.60
21P	12.50	10.00	11.0	11.85	11.0	11.10
22P	13.00	10.50	11.5	12.35	11.5	11.60

PIN	A	B	C	D	E	F
23P	13.50	11.00	12.0	12.85	12.0	12.10
* 24P	14.00	11.50	12.5	13.35	12.5	12.60
25P	14.50	12.00	13.0	13.85	13.0	13.10
26P	15.00	12.50	13.5	14.35	13.5	13.60
27P	15.50	13.00	14.0	14.85	14.0	14.10
28P	16.00	13.50	14.5	15.35	14.5	14.60
29P	16.50	14.00	15.0	15.85	15.0	15.10
* 30P	17.00	14.50	15.5	16.35	15.5	15.60
31P	17.50	15.00	16.0	16.85	16.0	16.10
32P	18.00	15.50	16.5	17.35	16.5	16.60
33P	18.50	16.00	17.0	17.85	17.0	17.10
34P	19.00	16.50	17.5	18.35	17.5	17.60
35P	19.50	17.00	18.0	18.85	18.0	18.10
36P	20.00	17.50	18.5	19.35	18.5	18.60
37P	20.50	18.00	19.0	19.85	19.0	19.10
38P	21.00	18.50	19.5	20.35	19.5	19.60
39P	21.50	19.00	20.0	20.85	20.0	20.10
* 40P	22.00	19.50	20.5	21.35	20.5	20.60
* 50P	27.00	24.50	25.5	26.35	25.5	25.60

註：“\*”表示已開模規格



煜倫股份有限公司

PART NO. FPV-WHB09G-xx

DWG NO. FPV-WHB09G-xx

FILE NO.

UNIT / mm

SCALE 1:1

CHECKED BY CY

DRAWING BY

PROJECTION

TOLERANCES ARE

.X ± 0.2  
.XX ± 0.1  
.XXX ±  
AWG

DESCRIP TION:				
	AREA	REVISIONS	HK	DATE