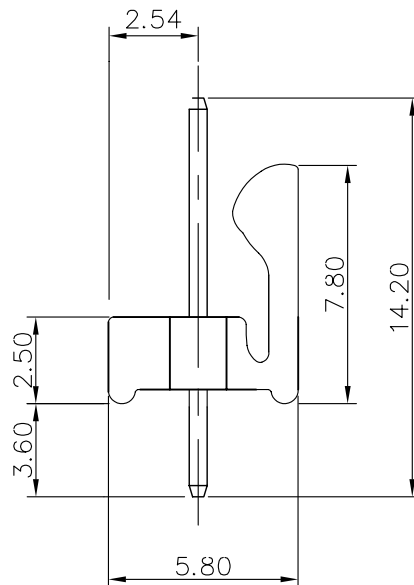
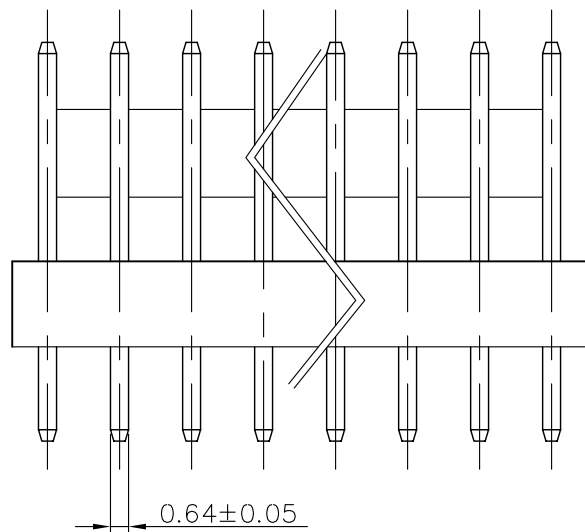


Specifications

Material: Nylon 66, UL94V-2
 Contact: Copper alloy, 0.64 mm square pin,
 Tin-plated or gold-flash
 Current Rating: 2A AC, DC
 Voltage Rating: 250 AC Maximum
 2-28 circuits available



Poles	Dimension mm		Poles	Dimension mm	
	A	B		A	B
2	2.54	5.08	16	38.10	40.64
3	5.08	7.62	17	40.64	43.18
4	7.62	10.16	18	43.18	45.72
5	10.16	12.70	19	45.72	48.26
6	12.70	15.24	20	48.26	50.80
7	15.24	17.78	21	50.80	53.34
8	17.78	20.32	22	53.34	55.88
9	20.32	22.86	23	55.88	58.42
10	22.86	25.40	24	58.42	60.96
11	25.40	27.94	25	60.96	63.50
12	27.94	30.48	26	63.50	66.04
13	30.48	33.02	27	66.04	68.58
14	33.02	35.56	28	68.58	71.12
15	35.56	38.10			

MT-D-xx-LF
 LEADFREE

RoHS Compliant

MORETHANALL
 CONNECTORS
 ASSEMBLIES

煜倫股份有限公司

PART NO. **MT-D-xx**

DWG NO. **MT-D-xx**

FILE NO.

UNIT / mm

SCALE 1:1

CHECKED BY CY

DRAWING BY

PROJECTION

TOLERANCES ARE

.X ± 0.2
 .XX ±
 .XXX ±
 AWG

DESCRIP TION:

2.54mm Wire-to-Board Header
 DIP 180° Type

AREA

REVISIONS

HK

DATE