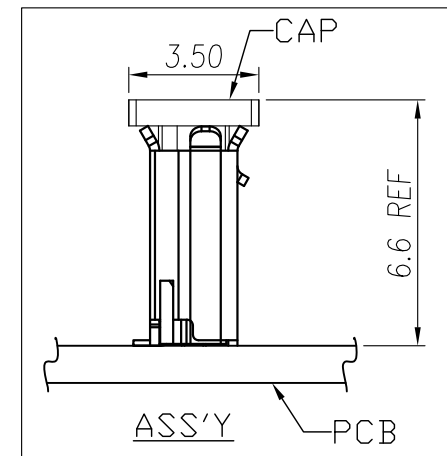


1. MATERIAL :
- 1-1. HOUSING : LCP UL94V-0 ; COLOR : BLACK
  - 1-2. CONTACT : PHOSPHOR BRONZE
  - 1-3. SHELL : STAINLESS STEEL
  - 1-4. CAP : LCP UL94V-0 ; COLOR : BLACK
2. FINISH :
- 2-1. CONTACT : GOLD 10 $\mu$ ' ON CONTACT AREA  
GOLD FLASH ON OTHER AREA
  - 2-2. SHELL : MATTE TIN PLATED



RoHS Compliant

TOLERANCES ARE

**MORETHANALL**  
PCB CONNECTORS  
Cable ASSEMBLIES

煜倫股份有限公司

www.morethanall.com

DRAWING BY CY

CHECKED BY GENINS

UNIT/mm

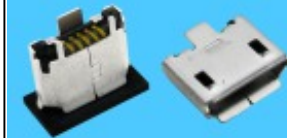
SCALE 1:1

DATE

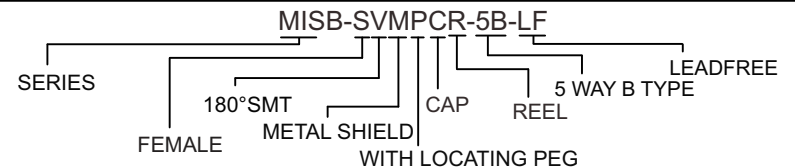
SIZE A4

X,  $\pm$   
X  $\pm$  0.20  
.XX  $\pm$  0.10  
.XXX  $\pm$   
ANG  $\pm$

PJECTION



ORDER INFORMATION



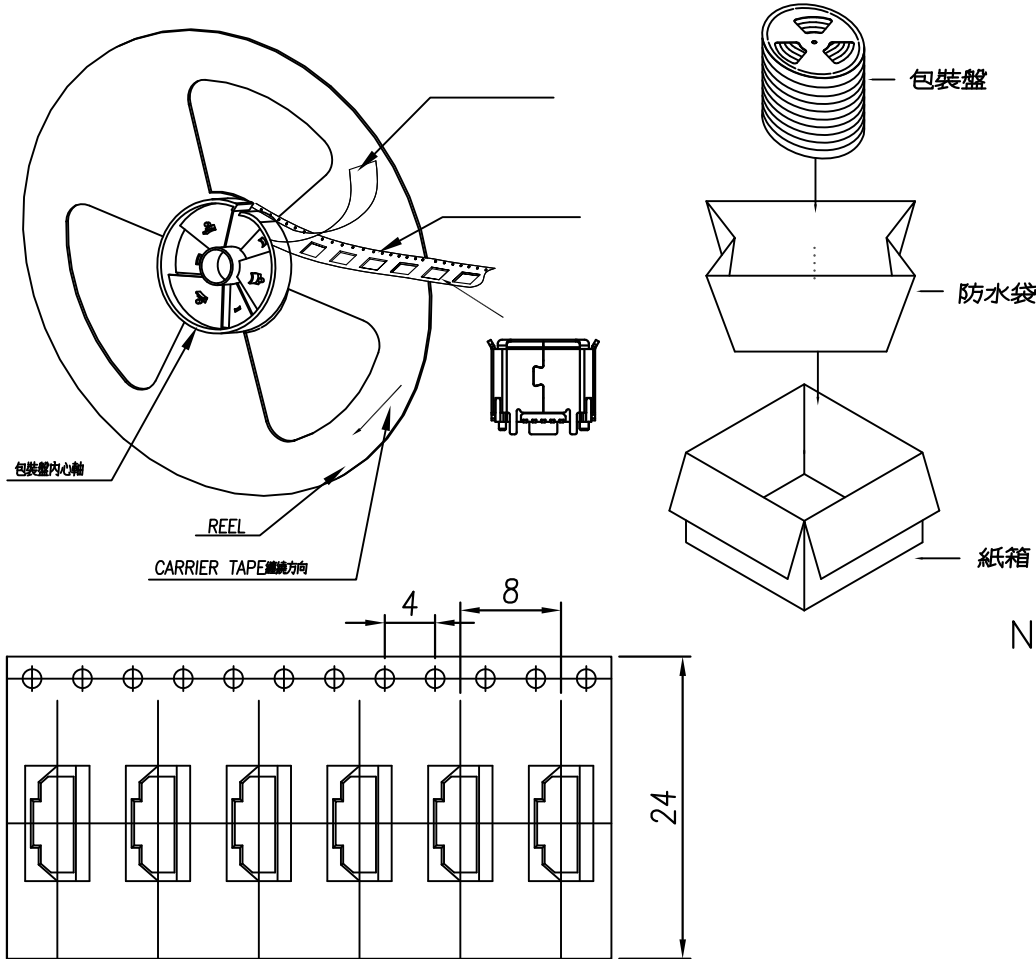
DESCRIPTION: MICRO USB 5PIN(F) 直立式 DIP

步驟一:

- 1.將成品一一放入包裝盤內,依同一方向置入.
- 2.包裝方式,如圖所示.
- 3.一個包裝盤內1100pcs.

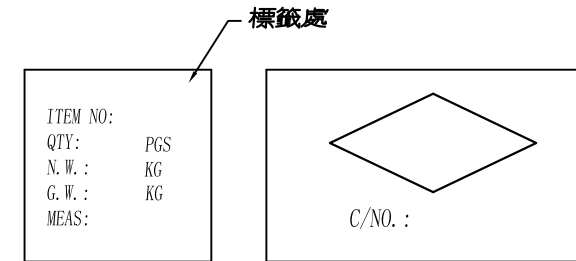
步驟二:

- 1.一個紙箱可以裝14個包裝盤.
- 2.每盤1100pcs,每箱15400pcs.
- 3.將包裝盤放入防水袋中,包裝完後再封箱.



步驟三:

- 1.用膠帶將紙箱封實.
- 2.將標籤貼於紙箱上.



NOTE:

- 1.若有未裝滿之零數箱,必須以緩衝材塞滿.
- 2.在搬運過程中要輕拿輕放.
- 3.載運輸中不可堆放過多,不可有重壓現象.
- 4.在裝滿產品後,必須空留帶前和帶後15格以上,然後用紙膠布貼上.
- 5.上帶在貼下帶時必須平整,且黏貼處不要出現氣泡.

RoHS Compliant

TOLERANCES ARE

**MORETHANALL**  
PCB CONNECTORS  
Cable ASSEMBLIES

DRAWING BY CY

CHECKED BY GENINS

UNIT/ mm

SCALE 1:1

DATE

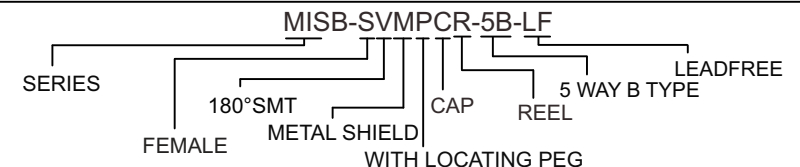
SIZE A4

PJECTION

X. ±  
.X ± 0.30  
.XX ± 0.20  
.XXX ±  
ANG ±



ORDER INFORMATION



DESCRIPTION: MICRO USB 5PIN(F) 直立式 DIP REEL

煜倫股份有限公司

www.morethanall.com