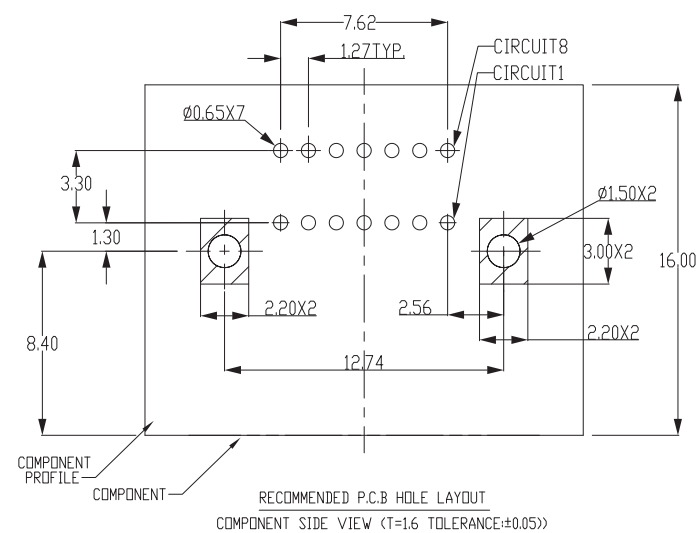
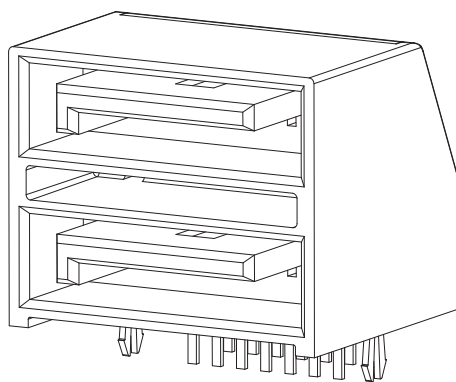
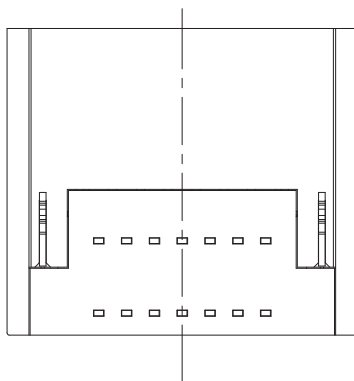


NOTES:
 MATERIAL:
 HOUSIN:THERMAL PLASTIC,UL94 V-0 RATE ,COLOR:BLACK
 CONTACT:BRASS
 PLATING:
 GOLD PLATED OVER NICKEL ON CONTACT AREA;
 TIN PLATED ON SOLDER TAIL.
 ELECTRICAL SPECIFICATION
 OPERATION VOLTAGE:100 VACmax.
 CURRENT RATING:1.5 AMPERE PER CONTACT.
 CONTACT RESISTANCE:30 MILLIOHMS max.
 INSULATION RESISTANCE:1000 MEGOHMS min.
 DIELECTRIC WITHSTANDING VOLTAGE:500 VAC
 ENVIRONMENTAL
 OPERATING TEMPERATURE:-55°C TO +125°C.



RoHS Compliant

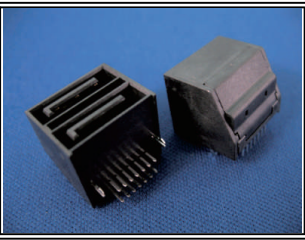
MORETHANALL
 PCB CONNECTORS
 Cable ASSEMBLIES

煜倫股份有限公司

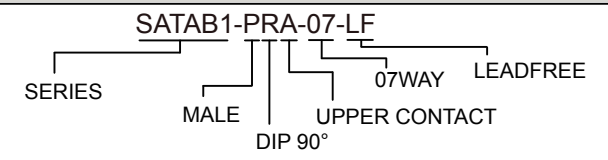
www.morethanall.com

DRAWING BY CY
 CHECKED BY GENIUS
 UNIT/mm SCALE 1:1
 DATE
 SIZE A4 PROJECTION

TOLERANCES ARE
 X. ±
 .X ±
 .XX ±
 .XXX ±
 ANG ±



ORDER INFORMATION



DESCRIPTION: SERIAL ATA OF DOUBLE LAYER 7+7 PIN SHIELD STANDARD DIP TYPE(MALE)