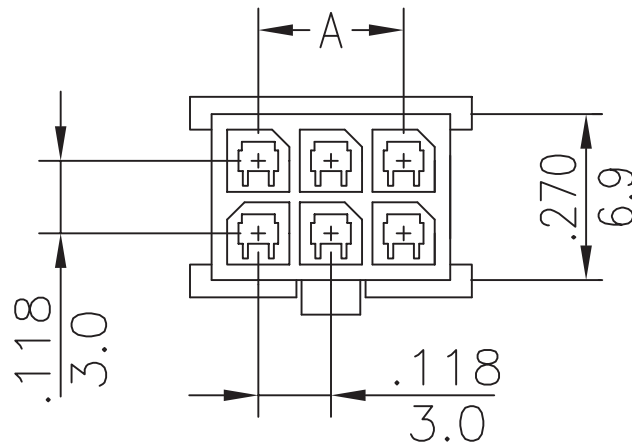


- \* Poles:2-24
- \* Material:Polyester, UL94V-0

### Specifications

- \* Current rating: 3A AC, DC
- \* Voltage rating: 250V AC, DC
- \* Temperature range: -25°C~+85°C
- \* Insulation resistance: 1,000MΩ min.
- \* Withstand voltage: 1,500V AC/minute



CIRCUITS	PART NO.	DIMENSION in.(mm)	
		A	B
2	MIF-PHX-2X01		0.150(3.8)
4	MIF-PHX-2X02	0.118(3.0)	0.268(6.8)
6	MIF-PHX-2X03	0.236(6.0)	0.386(9.8)
8	MIF-PHX-2X04	0.354(9.0)	0.504(12.8)
10	MIF-PHX-2X05	0.472(12.0)	0.622(15.8)
12	MIF-PHX-2X06	0.591(15.0)	0.740(18.8)
14	MIF-PHX-2X07	0.709(18.0)	0.858(21.8)
16	MIF-PHX-2X08	0.827(21.0)	0.976(24.8)
18	MIF-PHX-2X09	0.945(24.0)	1.094(27.8)
20	MIF-PHX-2X10	1.063(27.0)	1.213(30.8)
22	MIF-PHX-2X11	1.181(30.0)	1.331(33.8)
24	MIF-PHX-2X12	1.299(33.0)	1.449(36.8)

RoHS Compliant

TOLERANCES ARE

**MORETHANALL**  
PCB CONNECTORS  
Cable ASSEMBLIES

煜倫股份有限公司

www.morethanall.com

DRAWING BY CY

CHECKED BY GENIUS

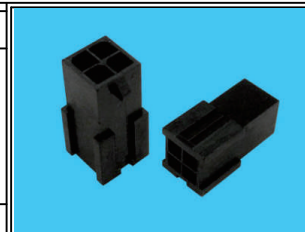
UNIT/mm SCALE 1:1

DATE

SIZE A4

X.±  
.X±  
.XX±  
.XXX±  
ANG±

PJECTION



### ORDER INFORMATION



DESCRIPTION: 3.0mm MICKO FIT HOUSINGS