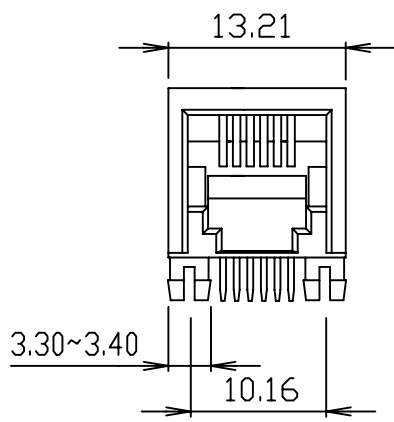


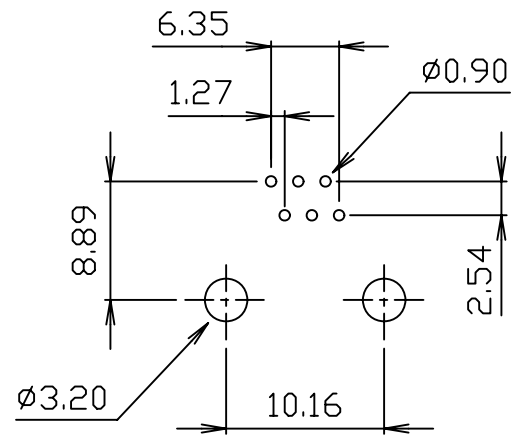
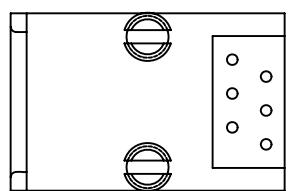
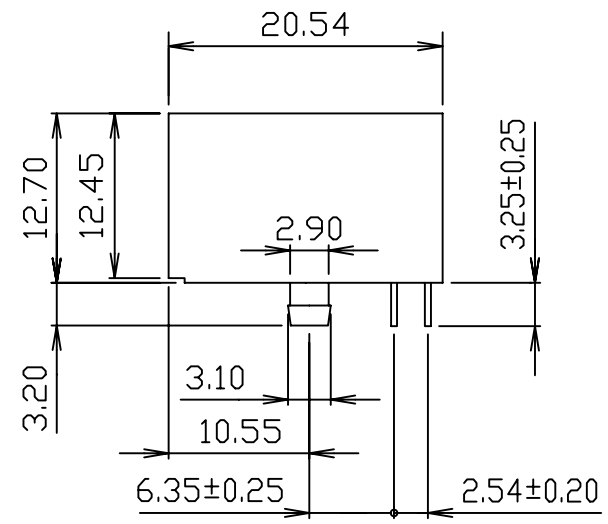
1 2 3 4 5 6 7 8 9 0

J
I
H
G
F
E
D
C
B
A

MATERIALS:
 · HOUSING-PBT POLYESTER UL94V-0
 MIXED GLASS FIBER,
 STANDARD COLOR-BLACK
 · CONTACTS-0.45mm DIA. ROUND PHOS-BRONZE
 PLATED WITH HARD GOLD.
 CAVITY CONFIRMS TO FCC RULES AND REGULATIONS
 PART 68,SUBPART F.



FLANGELESS



PC Board Layout



PART NO. MJ12L-KX06-0606

DWG NO. MJ12L-KX06-0606

FILE NO.

UNIT / mm

SCALE 1:1

APPROVED BY CY

DRAWING BY

PROJECTION

TOLERANCES ARE
 .X ± 0.25
 .XX ± 0.13
 .XXX ± 0.05
 AWG

DESCRIPTION:
 AREA

6POSITION
 SIDE ENTRY PCB JACK
 REVISIONS
 HK
 DATE

煜倫股份有限公司