

Usable Memory Card  
 Micro SD Card  
 Dimension:(Unit:mm)

## Specification

### Material:

Housing: LCP  
 Contacts: PHosphor Bronze C5210-EH.  
 Shell: SUS304-3/4H

### Plating:

Contacts: 50"U Nickel Overall  
 10"U Gold Selective Contact Area  
 100"U Sn OVER NICKEL  
 Shell: 50"U Nickel Overall  
 1"U Gold Selective Contact Area

### Electrical:

Current Rating :0.5mA max.  
 Contact Resistance:100mΩ max  
 Insulation Resistance:1000MΩ min./500VDC  
 Dielectric Withstanding Voltage:500VAC/minute  
 Operating Temperature:-25°C to+85°C  
 Mating Cycles:7,000 Insertions

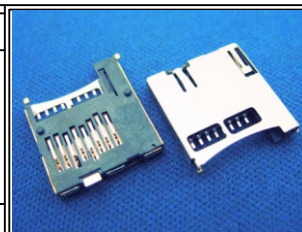
RoHS Compliant

TOLERANCES ARE

**MORETHANALL**  
 PCB CONNECTORS  
 Cable ASSEMBLIES  
 煜倫股份有限公司

DRAWING BY CY  
 CHECKED BY GENIUS  
 UNIT / mm SCALE 1 : 1  
 DATE  
 SIZE A4 PPROJECTION

X. ±  
 .X ±  
 .XX ±  
 .XXX ±  
 ANG ±

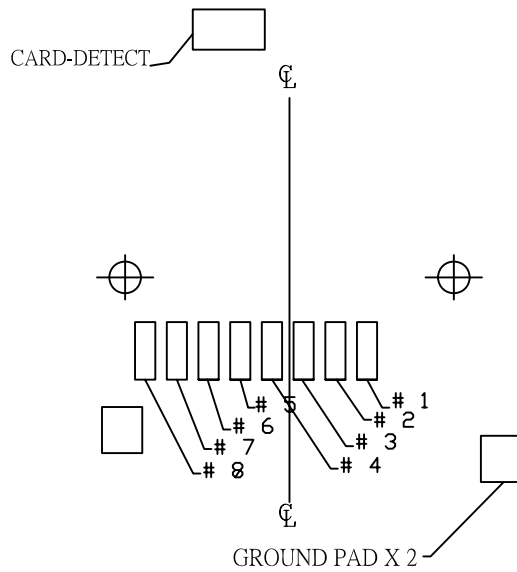


ORDER INFORMATION

TFC-WPCP12A-08-LF  
 SERIES LEADFREE  
 90°SMT 08WAY  
 PUSH PUSH SWITCH CLOSE  
 C LAYOUT POST 12.0mm

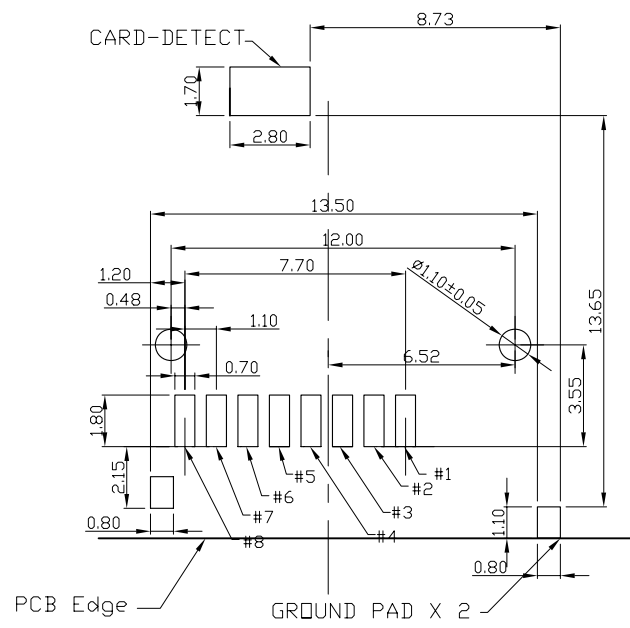
DESCRIPTION: Micro SD PUSH-PUSH

www.morethanall.com



WITHOUT CARD	CARD INSERTED
CD ○ — ○ GROUND	CD ○ ○ GROUND

Notices:



Pin Assignment:	
#1	DTA2
#2	CD/DAT3
#3	CMD
#4	VDD
#5	CLK
#6	VSS
#7	DAT0
#8	DAT1 <sup>2</sup>

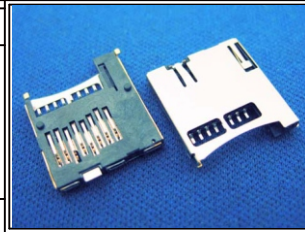
RECOMMEND PCB LAYOUT

RoHS Compliant

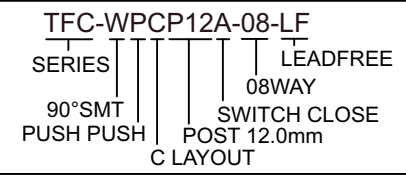
TOLERANCES ARE



DRAWING BY CY		X. ± .X ± .XX ± .XXX ± ANG ±
CHECKED BY GENIUS		
UNIT / mm	SCALE 1 : 1	
DATE		



ORDER INFORMATION



煜倫股份有限公司

www.morethanall.com

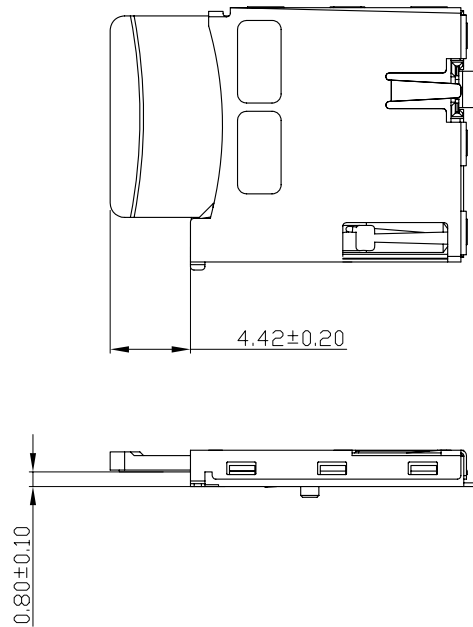
SIZE A4 PPROJECTION

DESCRIPTION: Micro SD PUSH-PUSH

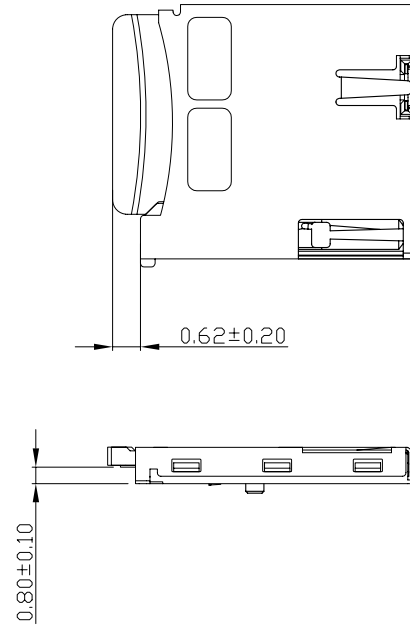
# Micro SD Push-push Socket Or Micro SD Card Insert Drawing :(Unit:mm)



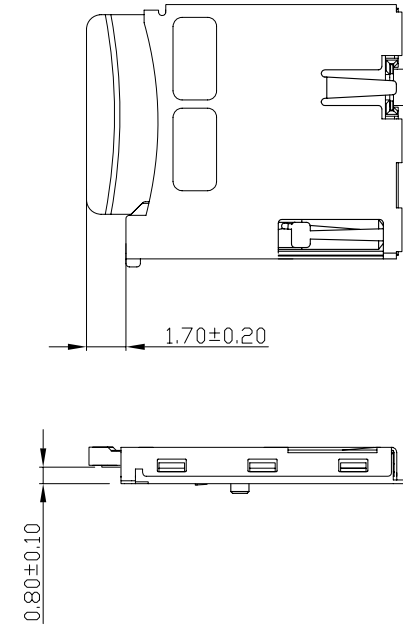
Release Position



Overstock Position



Function



**RoHS Compliant**

TOLERANCES ARE

**MORETHANALL**  
PCB CONNECTORS  
Cable ASSEMBLIES

煜倫股份有限公司

www.morethanall.com

DRAWING BY CY

CHECKED BY GENIUS

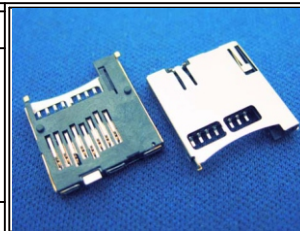
UNIT / mm SCALE 1 : 1

DATE

SIZE A4

X. ±  
.X ±  
.XX ±  
.XXX ±  
ANG ±

PPOJECTION



**ORDER INFORMATION**

TFC-WPCP12A-08-LF  
SERIES | | | LEADFREE  
90°SMT | | | 08WAY  
PUSH PUSH | | | SWITCH CLOSE  
C LAYOUT | | | POST 12.0mm

DESCRIPTION: Micro SD PUSH-PUSH