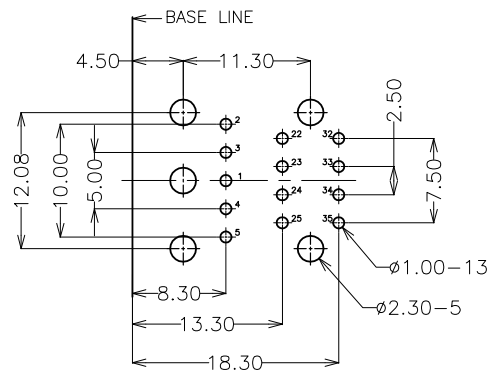
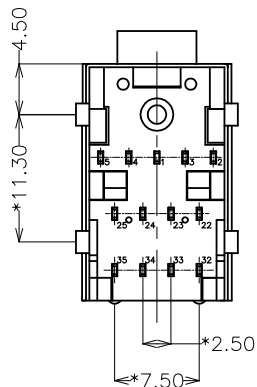


MATERIALS
 1.HOUSING : PBT+30% G.F(UL-94V-0).
 COVER:LCP UL94V-0;
 2.TERMINAL : COPPER ALLOY.GOLD PLATED
 ON CONTACT, TIN PLATED ON TAIL;
 3.FRONT SHELL : SUS430 T=0.30MM, NICKEL PLATED
 生產工藝:先電鍍後沖壓;
 4.BACK SHELL : SPCC, T=0.30mm,NICKEL PLATED;
SPECIFICATION
 1.CURRENT RATING : 1.0 AMP. MAX.
 2.DIELECTRIC WITHSTANDING VOLTAGE :
 500V AC R.M.S. FOR ONE MINUTE.
 3.INSULATION RESISTANCE : 100M OHMS MIN. AT 500V DC.
 4.CONTACT RESISTANCE : 50m OHMS MAX.
 5.OPERATING TEMPERATURE : -25°C TO +85°C.
 6.DURABILITY : 5000 CYCLES.
 7.MATING FORCE : 5kgs MAX
 8.UNMATING FORCE : 0.4~3.0kgs
 9.MAX PROCESSING TEMPERATURE :
 230°C FOR 30~60 SECONDS. (HI.-TEMP. PLASTIC)
 *# 標示是重點管控尺寸



P.C.B. LAYOUT(TOLERANCE±0.05)
 BOTTOM VIEW

PART NO	MATERIAL			SUS430	SPCC
	A	B	C	FRONT SHIELD	BACK SHIELD
PJC1-RYKA-13	YELLOW	BLACK	AQUA(GREEN)	NICKEL PLATED	
PJC1-RBAP-13	BLUE	AQUA(GREEN)	PINK	NICKEL PLATED	
PJC1-RPBA-13	PINK	BLUE	AQUA(GREEN)	NICKEL PLATED	
PJC1-RPGB-13	PINK	GREEN	BLUE	NICKEL PLATED	
PJC1-RPBG-13	PINK	BLUE	GREEN	NICKEL PLATED	
PJC1-RBGP-13	BLUE	GREEN	PINK	NICKEL PLATED	
PJC1-RBAG-13	BLUE	AQUA(GREEN)	PINK	NICKEL PLATED	
PJC1-RYKG-13	YELLOW	BLACK	GREEN	NICKEL PLATED	
PJC1-RPBG-13	PINK	BLUE	GREEN	NICKEL PLATED	

RoHS Compliant

MORETHANALL
 PCB CONNECTORS
 Cable ASSEMBLIES

煜倫股份有限公司

www.morethanall.com

DRAWING BY CY

CHECKED BY GENIUS

UNIT / mm SCALE 1 : 1

DATE

SIZE A4

TOLERANCES ARE

X, ±
 .X ± 0.38
 .XX ± 0.25
 .XXX ± 0.15
 ANG ± 2°

P PROJECTION



ORDER INFORMATION

PJC1-Rxxx-13-LF
 SERIES | LEADFREE
 13 WAY
 PART NO
 DIP 90°

DESCRIPTION: 三層JACK插孔3.5mm 前鐵殼SUS430先鍍後沖 後鐵殼SPCC 鍍鎳RoHS