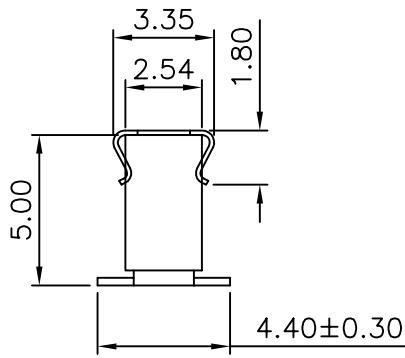
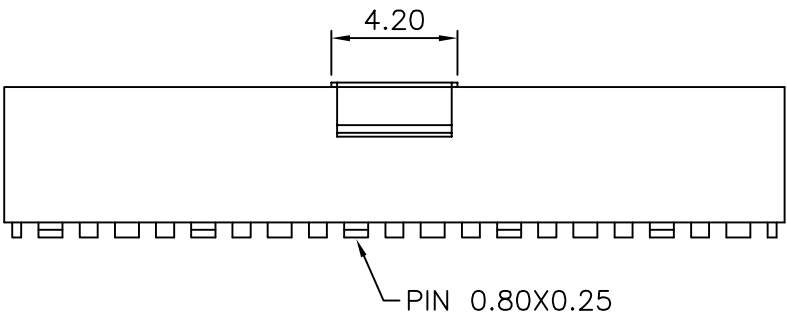
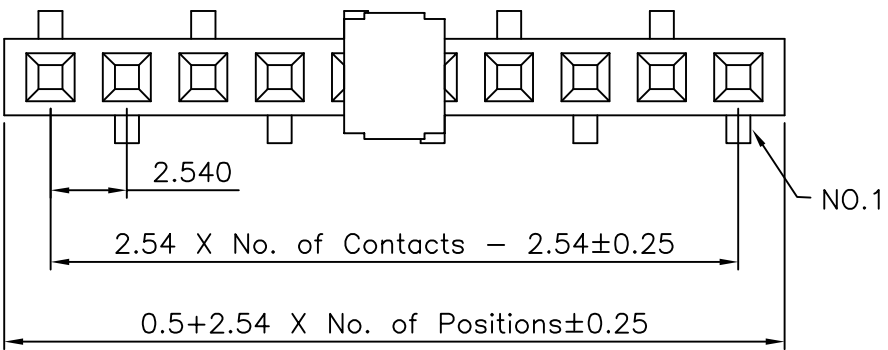


1 2 3 4 5 6 7 8 9 0

J
I
H
G
F
E
D
C
B
A



Specifications

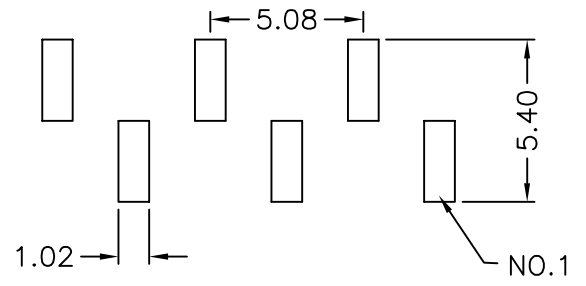
Current Rating: 3Amp
 Insulation Resistance: 1000MΩ Min.
 Dielectric Withstanding: 600V AC/DC
 Contact Resistance: 20mΩ Max.
 Operating Temperature: -40°C to +105°C

Materials

Contact Material: Phosphor Bronze
 Insulation Material: Polyester, UL 94V-0
 Nylon 6T
 All materials must be GP materials

F-V50XC-1XxxR-LF
 LEADFREE
 RoHS Compliant

Recommended P.C.Board
 Top Entry Layout



PART NO. F-V50XC-1XxxR

DWG NO. F-V50XC-1XxxR

CHECKED BY CY

TOLERANCES ARE

FILE NO.

DRAWING BY

.X ± 0.2
.XX ± 0.1

DESCRIPTION: 2.54 FEMALE HEADER
 SINGLE ROW SMT TYPE BASE 5.00H

煜倫股份有限公司

UNIT / mm

SCALE 1:1

PROJECTION

.XXX ± AWG

AREA

REVISIONS

HK

DATE