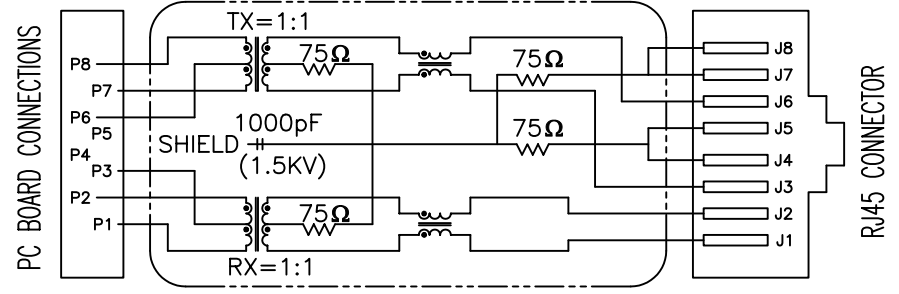
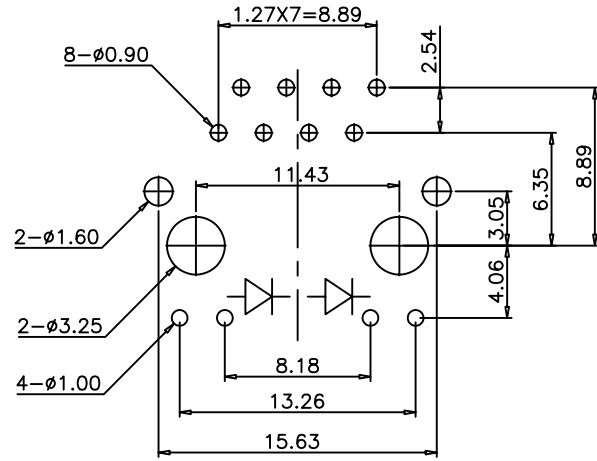
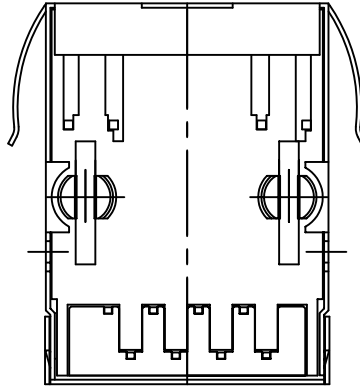
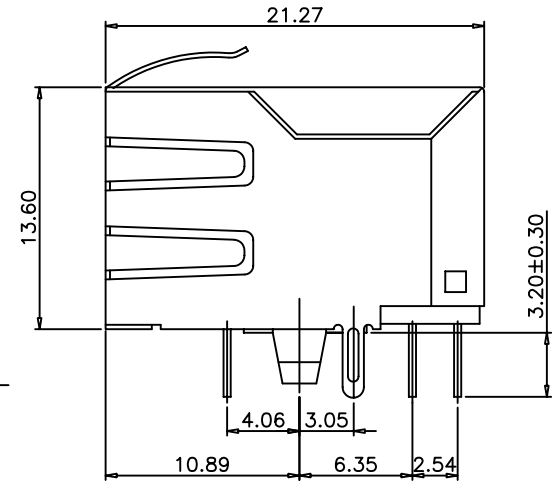
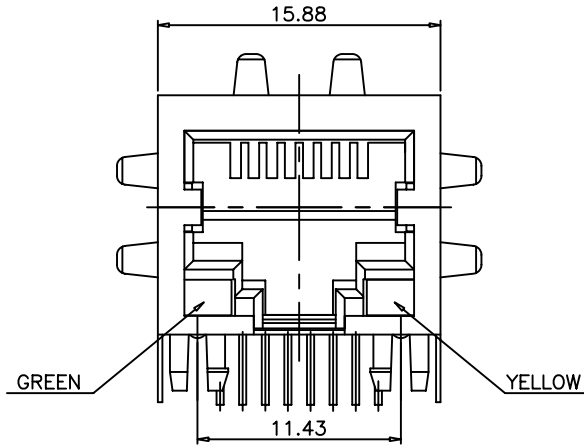


1 2 3 4 5 6 7 8 9 0

J
I
H
G
F
E
D
C
B
A



MATERIALS:
 PLASTIC HOUSING: HIGH TEMP. THERMOPLASTIC
 FLAMMABILITY RATING UL 94V-0.
 CONTACTS: PHOSPHOR BRONZE
 PLATING: GOLD PLATING OVER NICKEL IN CONTACT.
 TIN PLATING OVER NICKEL IN SOLDER AREA.
 SHIELD: BRASS PLATING NICKEL ALLOY.

RoHS Compliant



PART NO. MJF13T36L-KF06B3GY-0808

DWG NO. MJF13T36L-KF06B3GY-0808

CHECKED BY CY

TOLERANCES ARE

FILE NO.

DRAWING BY

.X ± 0.2
.XX ± 0.1

DESCRIPTION:

8P8C SHIELD LED+FILTER 脚後3.05

煜倫股份有限公司

UNIT / mm

SCALE 1:1

PROJECTION

.XXX ±
AWG

AREA

REVISIONS

HK

DATE