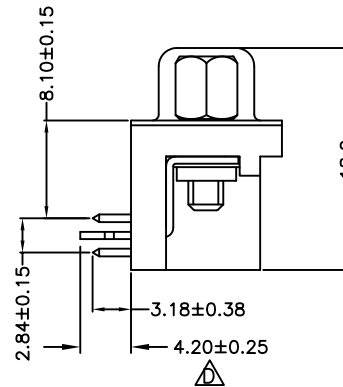
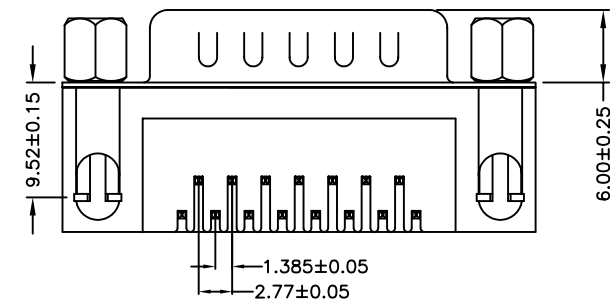
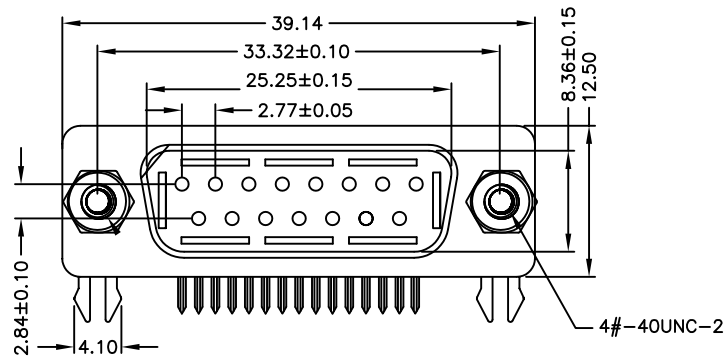


P.C.B. LAYOUT



NOTES:

1.MATERIAL

- 1.1 Insulator: PBT+30%Glass Fiber (UL94V-0)
- 1.2 Contact: Brass
- 1.3 Contact Plated: Gold/Tin Plated
- 1.4 Shell: Nickel Plated

2.SPECIFICATION

- 2.1 Current Rate: 5 Amps
- 2.2 Insulator Resistance: 1000MΩ Min. at 500V DC
- 2.3 Dielectric Strength: 1000V Per minute
- 2.4 Operation Temperature: -55℃ to+105℃

RoHS Compliant

TOLERANCES ARE

MORETHANALL
PCB CONNECTORS
Cable ASSEMBLIES

DRAWING BY CY

X.±

CHECKED BY GENIUS

.X±

UNIT / mm

SCALE 1 : 1

.XX±

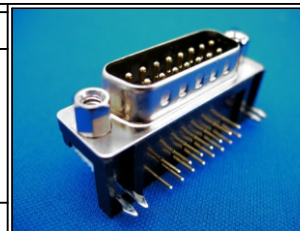
DATE

.XXX±

SIZE A4

P PROJECTION

ANG ±



ORDER INFORMATION

DR-PGNJ-15-LF
SERIES | LEADFREE
MALE | JACKSCRW
NUT | FULL GOLD
15 WAY

DESCRIPTION:

煜倫股份有限公司

www.morethanall.com