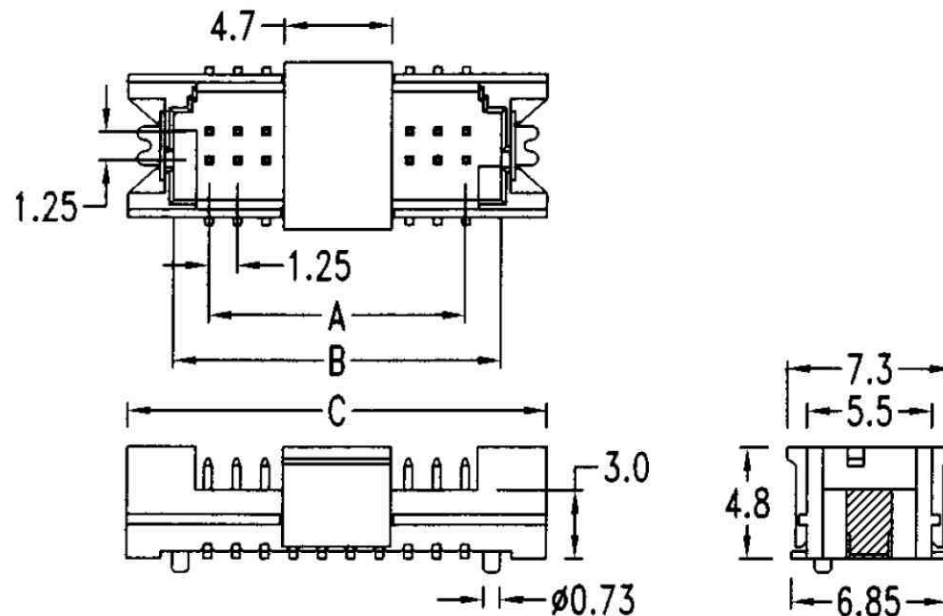


Features:

- 10, 20, 30, 40 circuits available
- .014"(0.35mm) square pin
- Pin Material: Gold-flash brass
- Insulation: Nylon 9T

Specification:

- Current rating : 1A AC, DC
- Voltage rating: 100V AC, DC
- Contact resistance: 20mΩ max.
- Dielectric withstanding voltage: 500V AC/minute
- Ambient temperature range: -25°C ~ 85°C

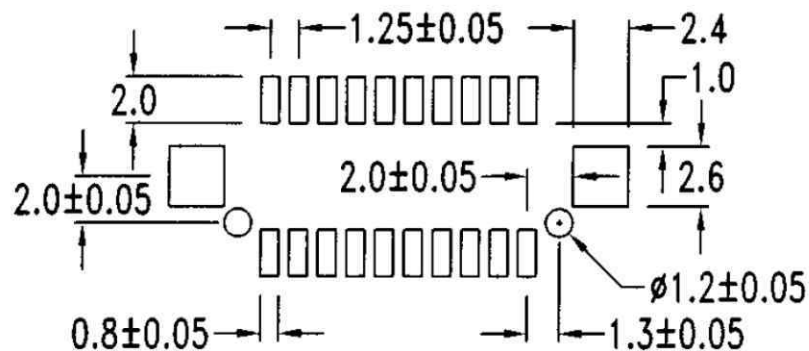


DF13-VPGC-2Xxx-LF
LEADFREE

RoHS Compliant

Dimensional Information (mm)

Circuits	Dim. A	Dim. B	Dim. C
10	5.00	8.10	12.2
20	11.25	14.35	18.5
30	17.50	20.60	24.8
40	23.75	26.85	31.1



PCB layout: Solder side

MORETHANALL
CONNECTORS
ASSEMBLIES

PART NO. DF13-VPGC-2Xxx

DWG NO. DF13-VPGC-2Xxx

FILE NO.

CHECKED BY CY

DRAWING BY

TOLERANCES ARE

.X ±
.XX ±
.XXX ±
AWG

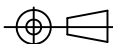
DESCRIPTION:

煜倫股份有限公司

UNIT / mm

SCALE 1:1

PROJECTION



AREA

REVISIONS

HK

DATE