

Technical Data:

Material:


- Solder Pin: Brass with Tin plated
- Insulator body(housing): Polyamide(Glass filled)(UL94V-0)

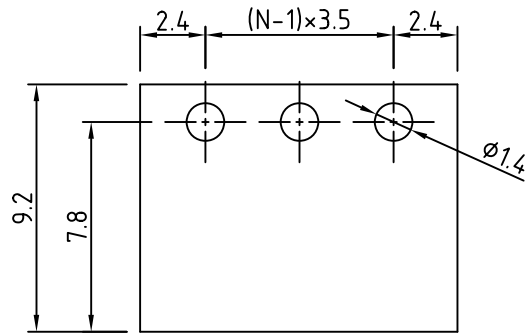
Electrical

- Voltage rating: 125VAC
- Current rating: 8A.
- Insulation resistance: 500MΩ at DC 500V
- Withstanding Voltage: AC 1200V(1min)

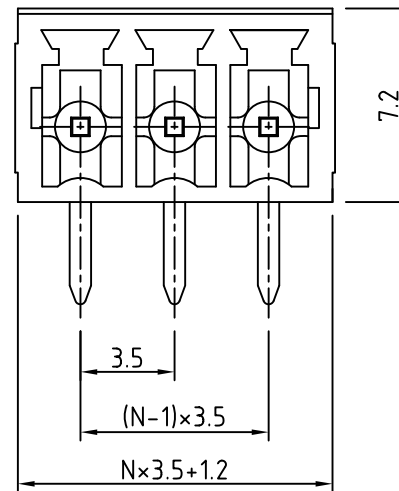
Mechanical:

- Using temperature Range: -40°C to +105°C
- Soldering temperature: +250°, 5seconds Max.

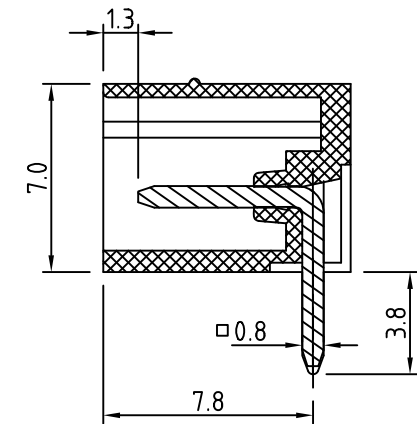
Safety approval deta: 



P.C.B. LAYOUT



N=Number of contacts



RoHS Compliant

TOLERANCES ARE

**MORETHANALL**  
PCB CONNECTORS  
Cable ASSEMBLIES

煜倫股份有限公司

www.morethanall.com

DRAWING BY CY

CHECKED BY GENIUS

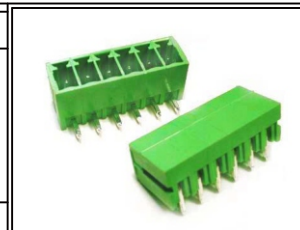
UNIT / mm SCALE 1 : 1

DATE

SIZE A4

P PROJECTION 

X, ±  
.X ±  
.XX ±  
.XXX ±  
ANG ±



ORDER INFORMATION

TBH035-PRC-xx-LF  
SERIES | LEADFREE  
02~24WAY  
CAGE  
DIP 90°  
MALE

DESCRIPTION: