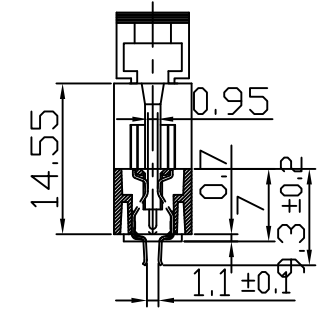
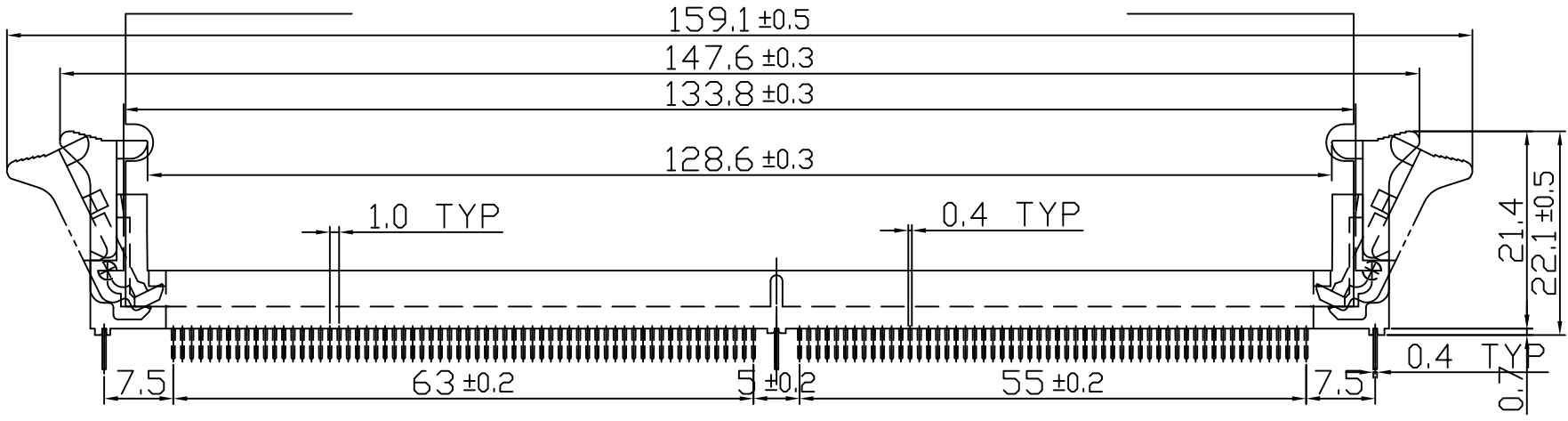


NOTE:  
 MATERIAL:  
 HOUSING:THERMOPLASTIC;(NY66+30%G/F)  
 CONTACT:BRASS  
 PLATING:  
 CONTACT: GOLD PLATING  
 SPECIFICATION:  
 VOLTAGE RATING: 30V  
 CURRENT RATING: 0.5A  
 CONTACT RESISTANCE TERMINAL:40mΩ MAX  
 DIELECTRIC WITHSTANDING VOLTAGE:500V AC  
 INSULATION RESISTANCE:1000MΩ MIN

DIM1-E-240-LF  
 LEADFREE  
 RoHS Compliant



**M** MORETHANALL  
 CONNECTORS  
 ASSEMBLIES

煜倫股份有限公司

PART NO. DIM1-E-240		CHECKED BY CY	TOLERANCES ARE	DESCRIP TION:			
DWG NO. DIM1-E-240							
FILE NO.		DRAWING BY	.X ± 0.2 .XX ± .XXX ± AWG	AREA	REVISIONS	HK	DATE
UNIT / mm	SCALE 1:1						