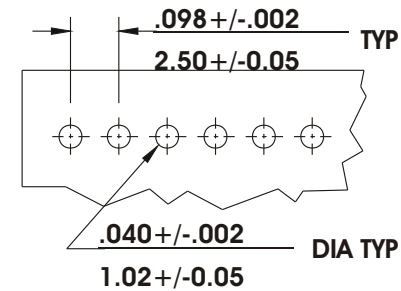
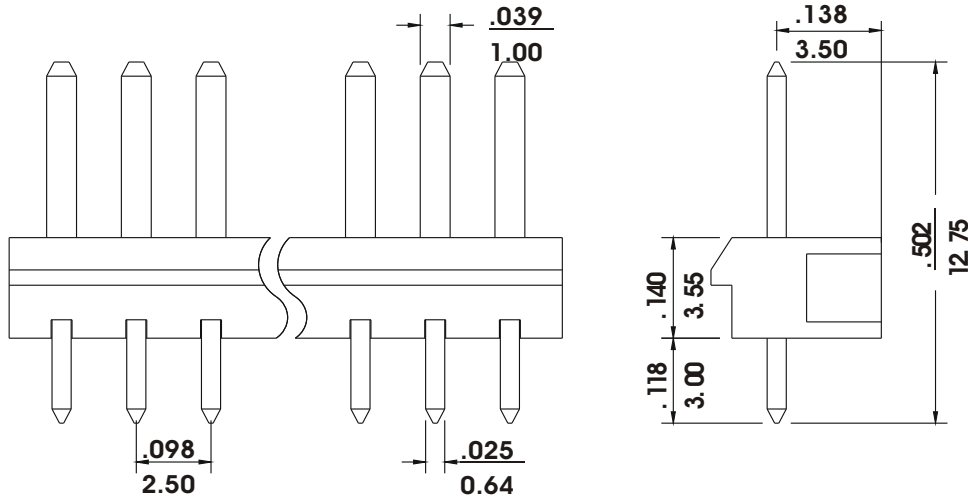


NH Series Straight Pin Headers

- * Material : Nylon UL 94V-0
- * Contact : Phosphor bronze
- * Current rating : 1A, AC/DC
- * Voltage rating : 125V, AC/DC
- * .025" (0.64mm) straight square pins
- * 2-25 circuits available



RECOMMENDED PCB LAYOUT

Dimensional information - inch/mm

Circuits	Dim. A		Circuits	Dim. A		Circuits	Dim. A	
	inch	mm		inch	mm		inch	mm
2	0.098	2.50	10	0.886	22.50	18	1.673	42.50
3	0.197	5.00	11	0.984	25.00	19	1.772	45.00
4	0.295	7.50	12	1.083	27.50	20	1.870	47.50
5	0.394	10.00	13	1.181	30.00	21	1.969	50.00
6	0.492	12.50	14	1.280	32.50	22	2.067	52.50
7	0.591	15.00	15	1.378	35.00	23	2.165	55.00
8	0.689	17.50	16	1.476	37.50	24	2.264	57.50
9	0.787	20.00	17	1.575	40.00	25	2.362	60.00

NH-D-xx-LF
LEADFREE

RoHS Compliant

MORETHANALL
CONNECTORS
ASSEMBLIES

PART NO. **NH-D-xx**

DWG NO. **NH-D-xx**

FILE NO.

UNIT / mm

SCALE 1:1

CHECKED BY CY

DRAWING BY

PROJECTION

TOLERANCES ARE

.X ± 0.2

.XX ±

.XXX ±

AWG

DESCRIPTION:

AREA

REVISIONS

HK

DATE

煜倫股份有限公司