

1 2 3 4 5 6 7 8 9 0

J

I

H

G

F

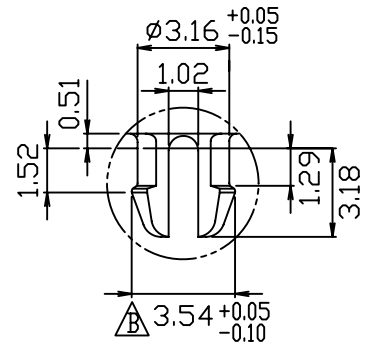
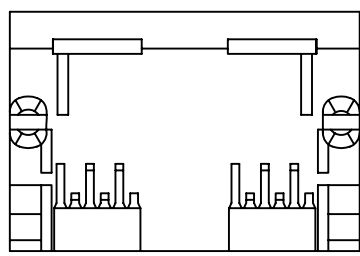
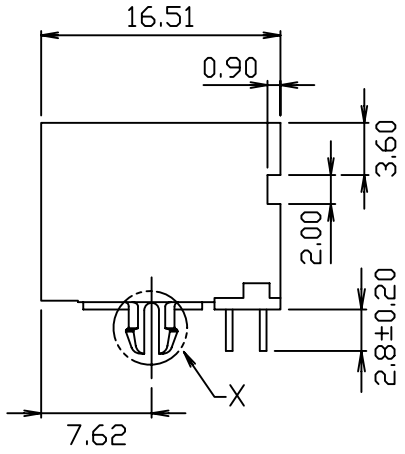
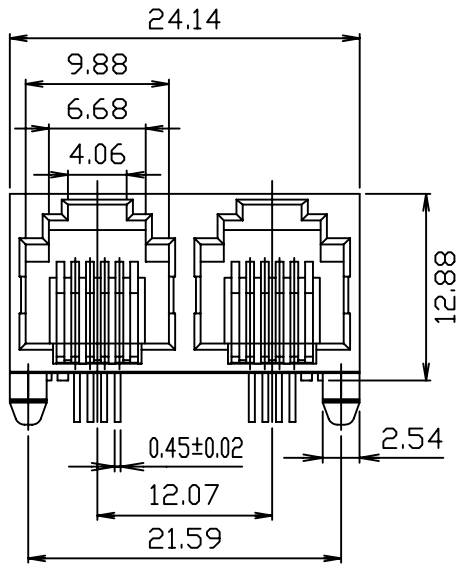
E

D

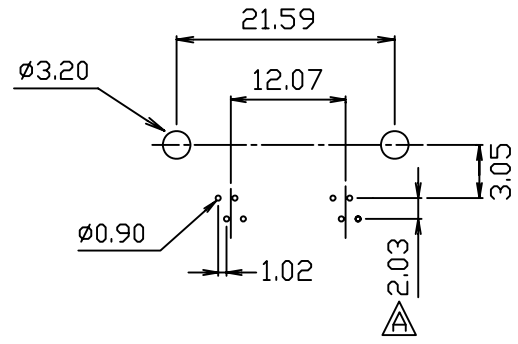
C

B

A



DETAIL X



PCB LAYOUT

MATERIALS:
 · HOUSING-DSM STANYL TE250F6 (NYLON-46)
 HEAT DEFLECTION TEMP.290°
 BLACK COLOR, UL94V-0
 OR-NYLON ZYTEL FR-52
 HEAT DEFLECTION TEMP.278°
 BLACK COLOR, UL94V-0
 · TERMINALS-0.35mm THICK PHOS-BRONZE PLATED
 WITH HARD GOLD AND TIN/LEAD IN
 SOLDER AREA.
 CAVITY CONFIRMS TO FCC RULES AND REGULATIONS
 PART 68,SUBPART F.

MJ12UA2-KX06-0604-LF
 LEADFREE
 RoHS Compliant

REVISIONS			
LTR	DESCRIPTION	DATE	APP
△	2.54	03/08/'00	
△	3.57 ^{+0.05} _{-0.10}	05/26/'00	

MORETHANALL
 CONNECTORS
 ASSEMBLIES

煜倫股份有限公司

PART NO. MJ12A2-KX06-0604

DWG NO. MJ12A2-KX06-0604

FILE NO.

UNIT / mm

SCALE 1:1

APPROVED BY CY

DRAWING BY

PROJECTION

TOLERANCES ARE

X. ± 0.25
 XX. ± 0.13
 XXX. ± 0.05
 AWG

DESCRIP TION:

AREA

2PORTS 6POSITION FLAT PIN
 L/P SIDE ENTRY PCB GANGED JACK

REVISIONS	HK	DATE
-----------	----	------