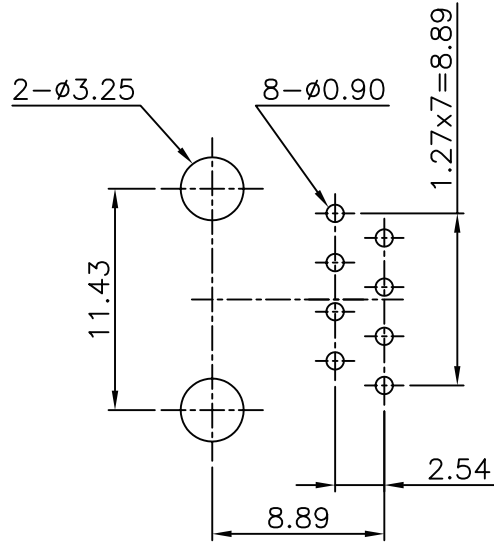
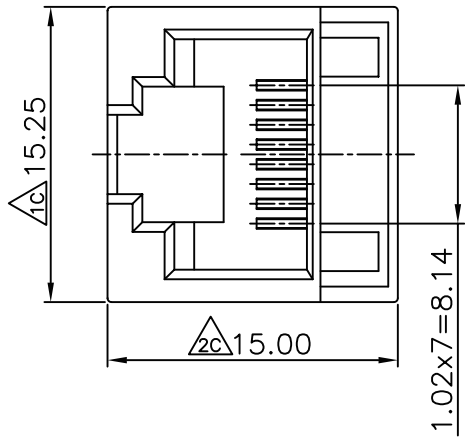
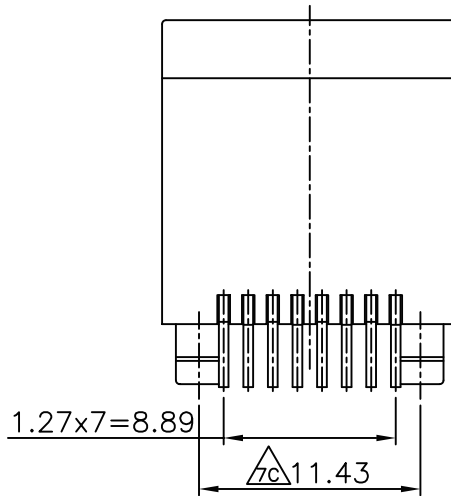
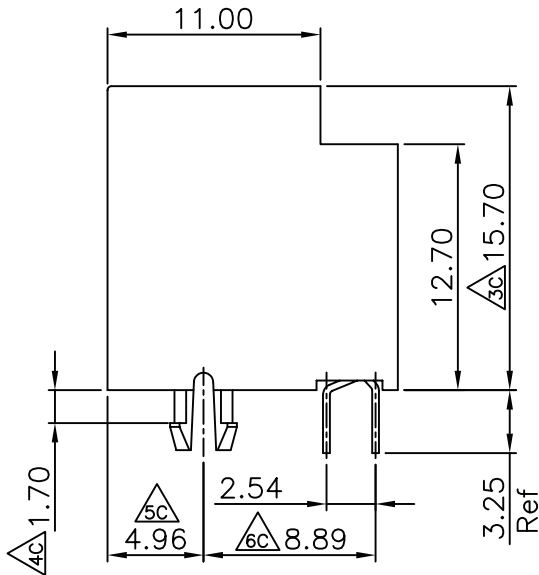


※凡標註 \triangle 記號者為品管管制尺寸。



PCB LAYOUT/TOP VIEW



MATERIALS:
 PLASTIC HOUSING: ENGINEERING THERMOPLASTIC
 FLAMMABILITY RATING UL 94V-0.
 CONTACTS: PHOSPHOR BRONZE
 PLATING: GOLD PLATING OVER NICKEL IN CONTACT.
 TIN PLATING OVER NICKEL IN SOLDER AREA.

RoHS Compliant

TOLERANCES ARE

MORETHANALL
 PCB CONNECTORS
 Cable ASSEMBLIES

DRAWING BY CY

CHECKED BY GENIUS

UNIT/mm

SCALE 1:1

DATE

SIZE A4

X. ± 0.30
 .X ± 0.38
 .XX ± 0.25
 .XXX ± 0.10
 ANG ± 3°

PJECTION



ORDER INFORMATION

MJDS12-KX06-0808-LF



煜倫股份有限公司

www.morethanall.com

DESCRIPTION: TOP ENTRY 8P8C JACK