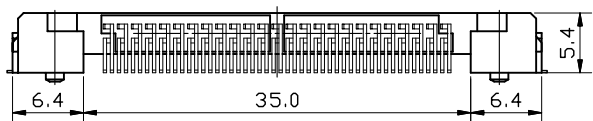
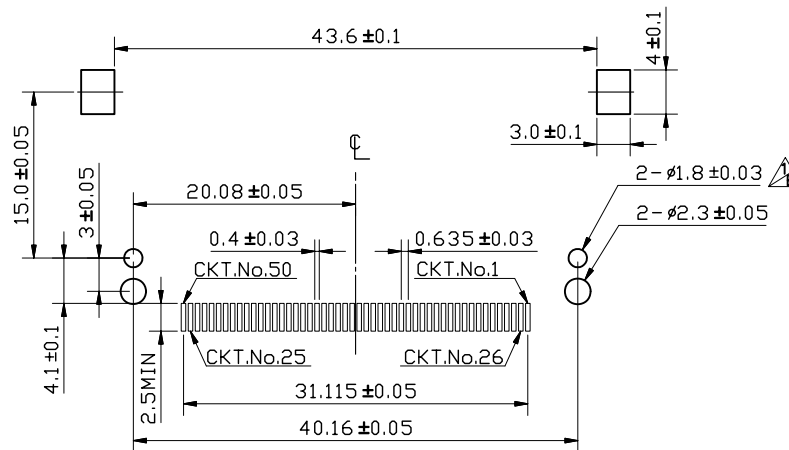
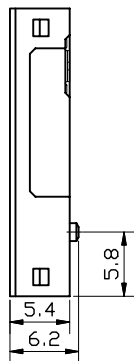
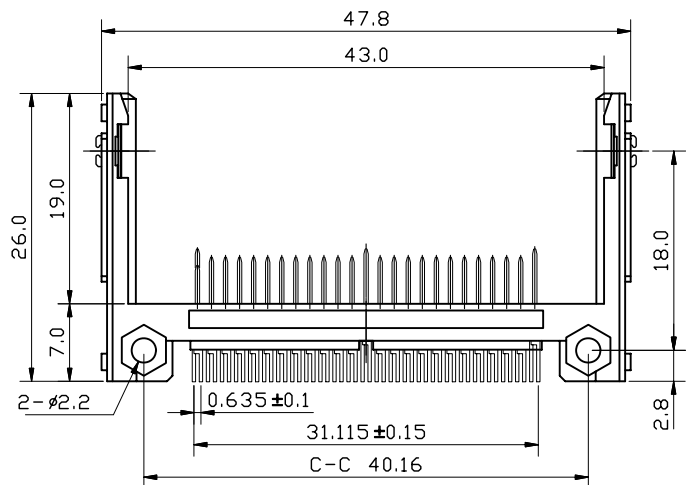
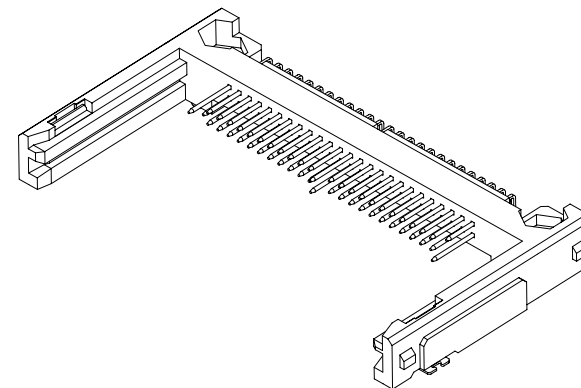


NOTES:
 MATERIAL
 Insulator: Glass Reinforced LCP UL94V-0
 Contacts: Brass Alloy
 Mount ear: Brass ; Tin plated overall
 CONTACT PLATING
 Contact area: Gold plating over 40u" Nickel
 Solder tail area: 100u" tin plating over 40u" Nickel



CFC-PW40BE111-50-LF
 LEADFREE

RoHS Compliant

MORETHANALL
 CONNECTORS
 ASSEMBLIES

PART NO. CFC-PW40BE111-50

DWG NO. CFC-PW40BE111-50

FILE NO.

UNIT / mm

SCALE 1:1

CHECKED BY CY

DRAWING BY

PROJECTION

TOLERANCES ARE

.X ± 0.2
 .XX ± 0.1
 .XXX ±
 AWG

DESCRIPTION:

CF CARD HEADER
 SMT 50P TYPE I (GO)

AREA

REVISIONS

HK

DATE

煜倫股份有限公司