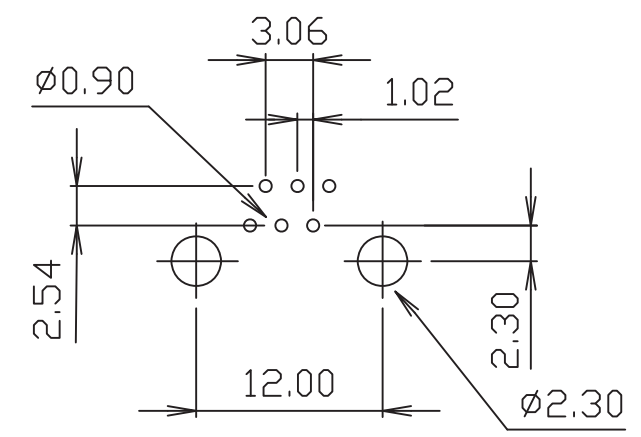


MATERIAL: HOUSING-PBT POLYESTER UL94V-0
 MIXED GLASS FIBER.
 STANDARD ODDOR-GRAY.
 CONTACTS-0.45mm DIAMETER PHOS-BRONZE
 PLATED WITH HARD GOLD.
 CAVITY CONFIRMS TO FCC RULES AND REGULATIONS



PC Board Layout
 Ref.

RoHS Compliant

TOLERANCES ARE

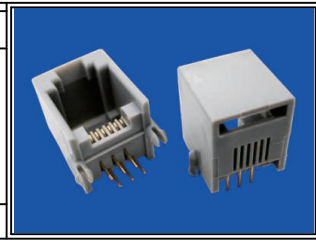


煜倫股份有限公司

www.morethanall.com

DRAWING BY CY	
CHECKED BY GENIUS	
UNIT/mm	SCALE 1:1
DATE	
SIZE A4	P PROJECTION

X. ±
.X ± 0.25
.XX ± 0.13
.XXX ± 0.05
ANG ±



ORDER INFORMATION



DESCRIPTION: 6POSITION SHIELDLESS FLANGELESS MINI LOW PROFILE, SIDE ENTRY PCB JACK