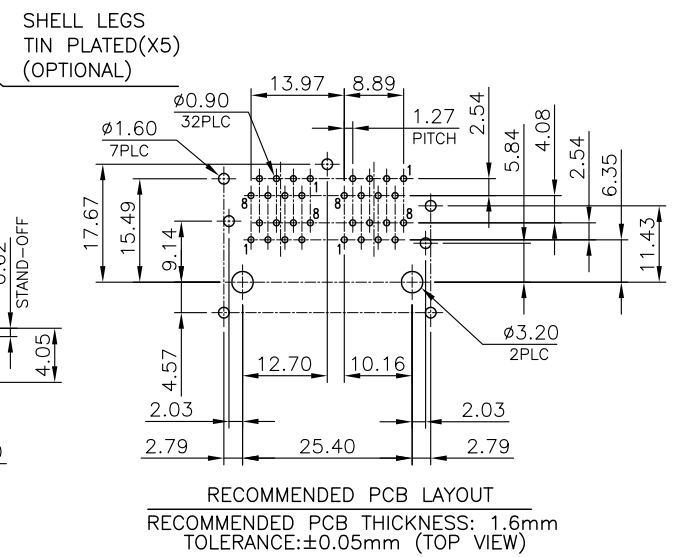


NOTE:  
CAVITY CONFIRMS TO FCC RULES AND REGULATIONS PART 68, SUBPART F.

- MATERIAL:
  - HOUSING: PBT OR PA46, WITH GLASS FIBER, L94V-0, STANDARD COLOR-BLACK.
  - INSERT HOUSING: PBT, WITH GLASS FIBER, UL94V-0, STANDARD COLOR-BLACK.
  - COVER: PBT OR PA46, WITH GLASS FIBER, UL94V-0, STANDARD COLOR-BLACK.
  - CONTACTS: PHOSPHOR BRONZE.
  - SHIELD: BRASS.
- FINISH:
  - CONTACTS: GOLD PLATED ON CONTACT AREA, 0.0254μm [1μ"] GOLD PLATED ON SOLDER TAIL, WITH ENTIRE CONTACT UNDERPLATED 1.27μm [50μ"] MIN. NICKEL
  - SHELL: 0.508μm [20μ"] MIN. NICKEL PLATED.



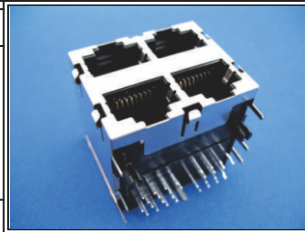
**RoHS Compliant**

**MORETHANALL**  
PCB CONNECTORS  
Cable ASSEMBLIES

煜倫股份有限公司

www.morethanall.com

DRAWING BY CY		TOLERANCES ARE X, ± .X ± 0.25 .XX ± 0.13 .XXX ± 0.05 ANG ±
CHECKED BY GENIUS		
UNIT / mm	SCALE 1:1	
DATE		
SIZE A4	PJECTION	



**ORDER INFORMATION**

**MJF25B2-KF06A4-0808-LF**

SERIES	8P8C	LEADFREE
	FRONT TAB 4.57mm	
	06u" GOLD	
	FULL SPRING	
	BLACK	

DESCRIPTION: 2X2, 8POSITION, RIGHT ANGLE SHELL PCB JACK