

## MATERIAL

Contact Pin : Brass

## SPECIFICATION

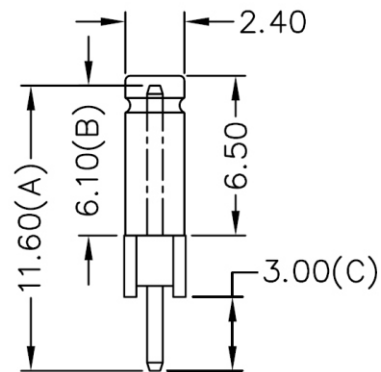
Current Rate : 3 AMP

Insulation Resistance : 5000MΩMin. at DC 500V

Contact Resistance : 20mΩMax. at DC 100mA

Dielectric Voltage : AC 500V for one minute

Operation Temperature : -40°C to + 105°C



Recommended P.C.B Layout

RoHS Compliant

TOLERANCES ARE

**MORETHANALL**  
PCB CONNECTORS  
Cable ASSEMBLIES

DRAWING BY CY

X.±

CHECKED BY GENIUS

.X±

UNIT / mm

SCALE 1 : 1

.XX±

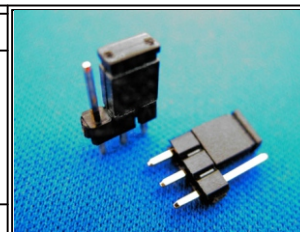
DATE

.XXX±

ANG±

SIZE A4

PPOJECTION



ORDER INFORMATION

H-D-1X03JA-LF  
SERIES | LEADFREE  
JUMPER CLOSE  
03 WAY  
DIP 180°

煜倫股份有限公司

www.morethanall.com

DESCRIPTION: