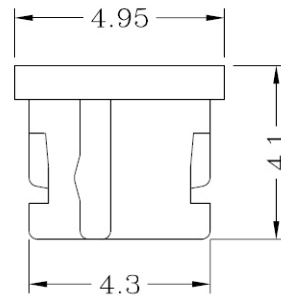
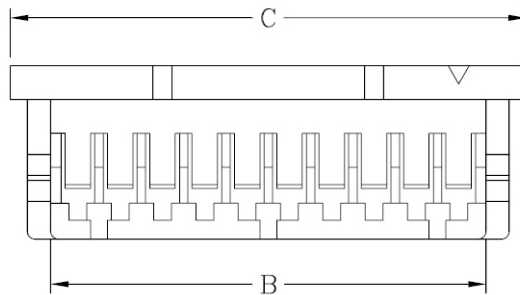
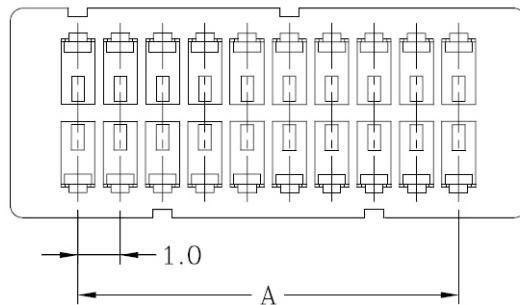


Features:

- * Dual Row
- * Available in 10,20,30,40,50 circuits
- * Material: Nylon 66 UL 94V-0 (Grey)



Dimensional & Ordering Information:

Circuits	Part No.	Dimensions			Pcs/Bag
		A	B	C	
10	DF20-H-10	4.0	5.3	7.2	1000
20	DF20-H-20	9.0	10.3	12.2	1000
30	DF20-H-30	14.0	15.3	17.2	1000
40	DF20-H-40	19.0	20.3	22.2	1000
50	DF20-H-50	24.0	25.3	27.2	1000

DF20-H-xx-LF
LEADFREE

RoHS Compliant



PART NO. **DF20-H-xx**

DWG NO. **DF20-H-xx**

FILE NO.

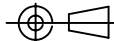
UNIT / mm

SCALE 1:1

CHECKED BY CY

DRAWING BY

PROJECTION



TOLERANCES ARE

.X ± 0.2
.XX ±
.XXX ±
AWG

DESCRIPTION:

AREA

REVISIONS

HK

DATE

煜倫股份有限公司