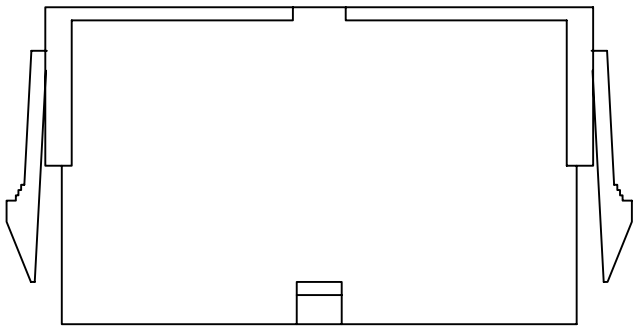
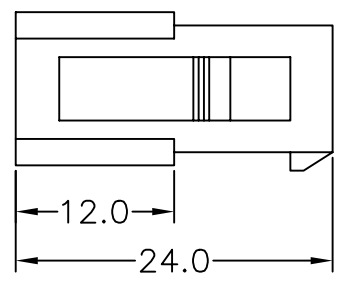
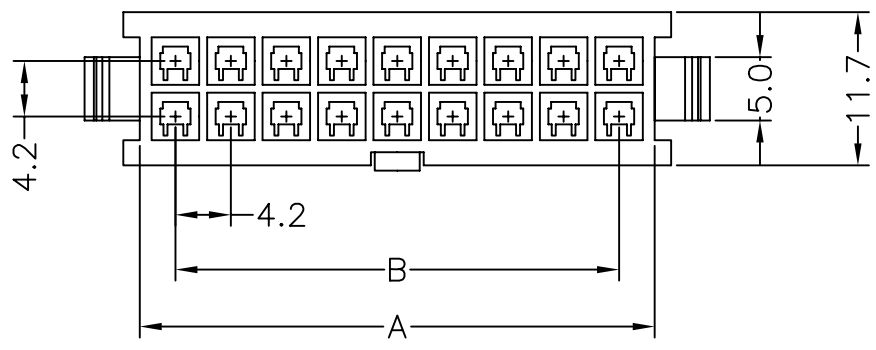


1 2 3 4 5 6 7 8 9 0

J
I
H
G
F
E
D
C
B
A



Features:
 Material: NYLON 66 UL 94V-2
 Available in 2 thru 24 circuits housing
 Voltage rating 600V (R.M.S.)
 Current 7 Amps per circuit

UNIT:mm

Circuits	Dim.B	Dim.A	Circuits	Dim.B	Dim.A	Circuits	Dim.B	Dim.A
2		5.6	10	16.8	22.4	18	33.6	39.2
4	4.2	9.8	12	21.0	26.6	20	37.8	43.4
6	8.4	14.0	14	25.2	30.8	22	42.0	47.6
8	12.6	18.2	16	29.4	35.0	24	46.2	51.8

MORETHANALL
 CONNECTORS
 ASSEMBLIES

PART NO. MF-PH-2Xxx

DWG NO. MF-PH-2Xxx

FILE NO.

APPROVED BY CY

DRAWING BY

A,B尺寸公差如下
 2×1P~2×4P±0.20
 2×5P~2×8P±0.30
 2×9P~2×12P±0.40

DESCRIPTION: (4.20mm)MINI-FIT Power Connector System

煜倫股份有限公司

UNIT / mm

SCALE 1:1

PROJECTION

AREA

REVISIONS

HK

DATE