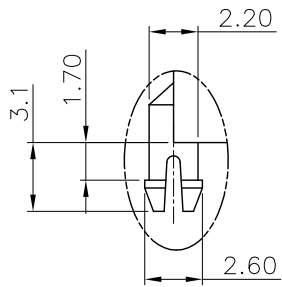


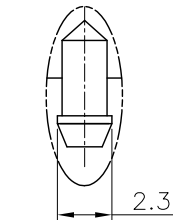
NOTE:

CAVITY CONFIRMS TO FCC RULES AND REGULATIONS PART 68, SUBPART F.

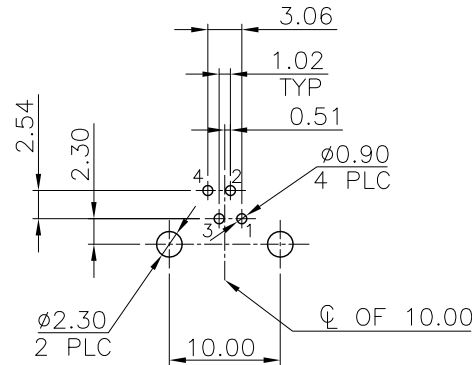
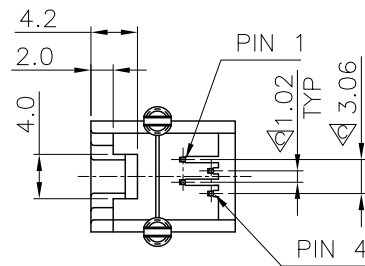
1. MATERIAL:
HOUSING: PBT OR PA46 OR PA9T, WITH GLASS FIBER, UL 94V-0, STANDARD COLOR-GRAY.
CONTACTS: PHOSPHOR BRONZE.
2. FINISH:
CONTACTS: GOLD PLATED ON ENTIRE CONTACT, 1.27µm [50µ"] MIN. NICKEL UNDERPLATED ALL OVER.
3. "▽" SHOWS QIP INSPECTION POINT.



DETAIL B
(SCALE 2:1)



DETAIL C
(SCALE 2:1)



RECOMMENDED PCB LAYOUT

RECOMMENDED PCB THICKNESS: 1.6mm
TOLERANCE: ±0.05 (TOP VIEW)

RoHS Compliant

TOLERANCES ARE

MORETHANALL
PCB CONNECTORS
Cable ASSEMBLIES

煜倫股份有限公司

www.morethanall.com

DRAWING BY CY

CHECKED BY GENIUS

UNIT/mm

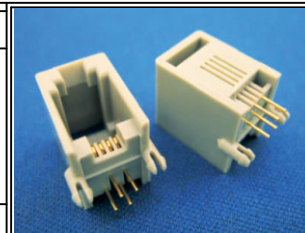
SCALE 1:1

DATE

SIZE A4

PJECTION

X. ±
.X ± 0.25
.XX ± 0.13
.XXX ± 0.05
ANG ±



ORDER INFORMATION

MJ14S-GX06-0404-LF

SERIES | LEADFREE
GRAY | 4P4C
06u" GOLD
NON EAR

DESCRIPTION: 4POSITION FLANGELESS
MINI LOW PROFILE, SIDE ENTRY PCB JACK