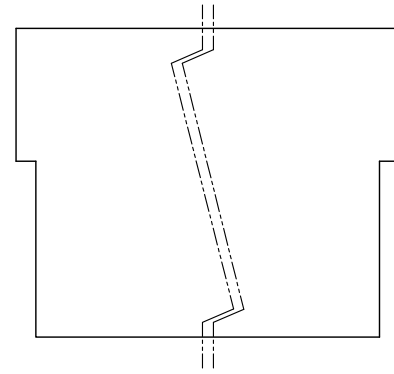
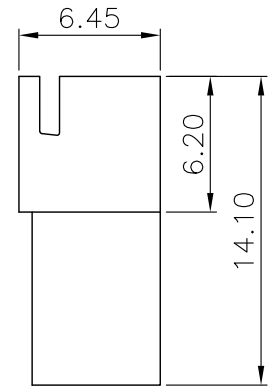
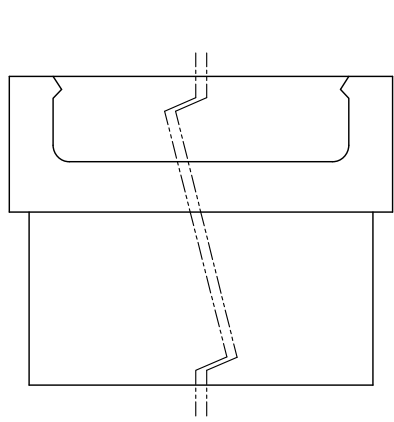
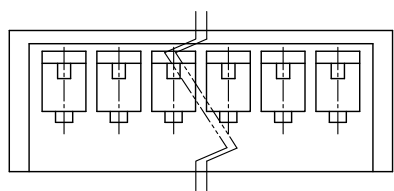


NOTE :
 * Material : Nylon UL 94V-0
 * Standard Color : White
 * Electrical rating : CSA 125V 2.5A, AC/DC
 * 2-20 circuits available

XH-P-xx-LF
 LEADFREE
 RoHS Compliant



CIRCUITS	PART NO.	DIM. A	DIM. B	CIRCUITS	PART NO.	DIM. A	DIM. B
2	XH-P-02	2.50	7.50	12	XH-P-12	27.50	32.50
3	XH-P-03	5.00	10.00	13	XH-P-13	30.00	35.00
4	XH-P-04	7.50	12.50	14	XH-P-14	32.50	37.50
5	XH-P-05	10.00	15.00	15	XH-P-15	35.00	40.00
6	XH-P-06	12.50	17.50	16	XH-P-16	37.50	42.50
7	XH-P-07	15.00	20.00	17	XH-P-17	40.00	45.00
8	XH-P-08	17.50	22.50	18	XH-P-18	42.50	47.50
9	XH-P-09	20.00	25.00	19	XH-P-19	45.00	50.00
10	XH-P-10	22.50	27.50	20	XH-P-20	47.50	52.50
11	XH-P-11	25.00	30.00				



MORETHANALL
 CONNECTORS
 ASSEMBLIES

PART NO. XH-P-xx

DWG NO. XH-P-xx

CHECKED BY CY

TOLERANCES ARE

DESCRIP TION:

FILE NO.

DRAWING BY

.X ± 0.2
 .XX ±
 .XXX ±
 AWG

煜倫股份有限公司

UNIT / mm

SCALE 1:1

PROJECTION

AREA

REVISIONS

HK

DATE